

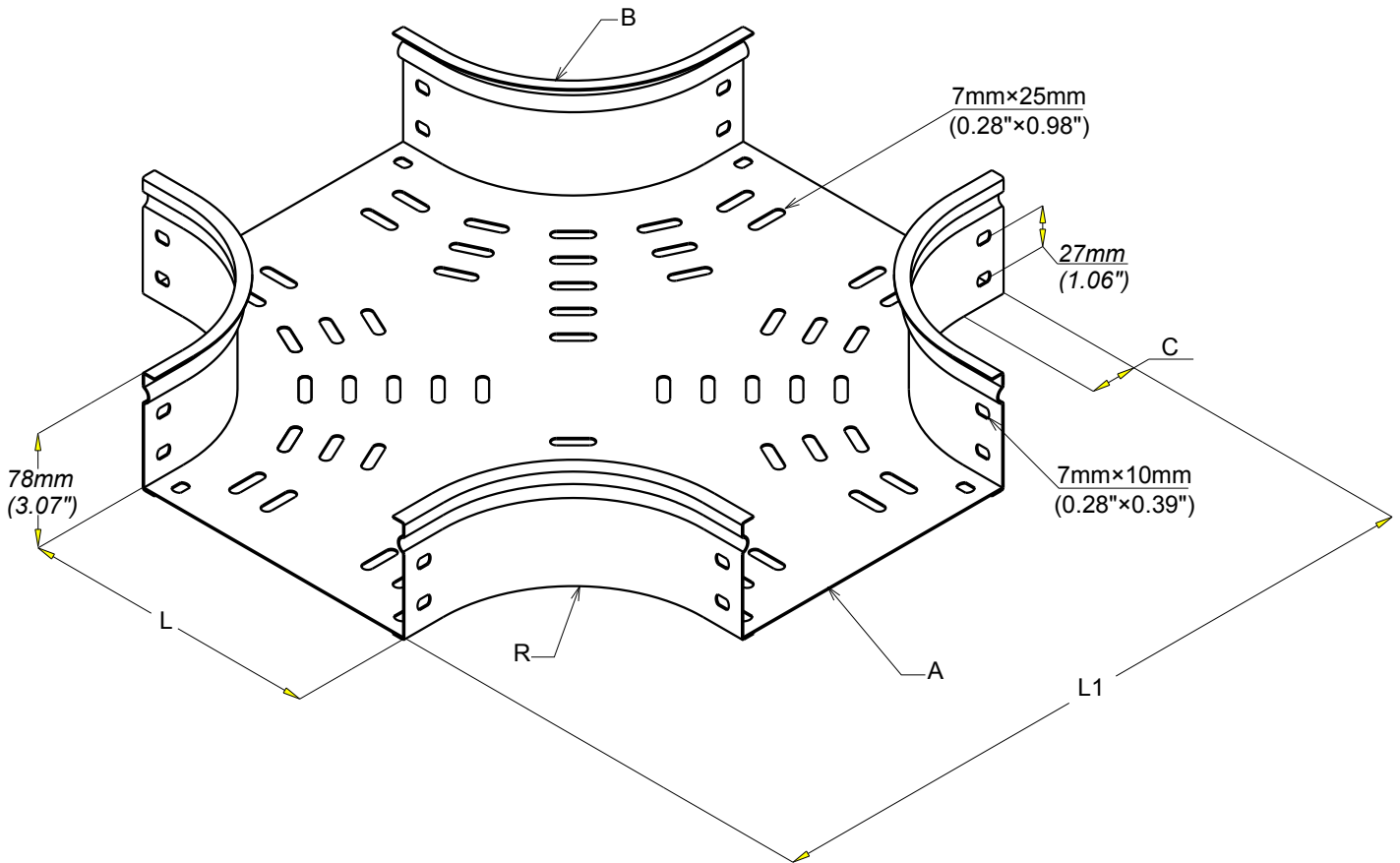
CROIX P31 XP H75 100 à 500
 PERFORATED Cross P31 75x100 to 500

GC
 HDG

legrand | CABLE
 MANAGEMENT

FT0768-3

11 13



REF	CODE	L /L (mm) (inch)	A /A (mm) (inch)	B /B (mm) (inch)	C /C (mm) (inch)	R /R (mm) (inch)	L1 /L1 (mm) (inch)
P31 XP 75x100	343 486	100 (3.94")	0.8 (0.032")	1 (0.039")	30 (1.18")	100 (3.94")	358 (14.11")
P31 XP 75x150	343 487	150 (5.91")	0.8 (0.032")	1 (0.039")	30 (1.18")	100 (3.94")	408 (16.08")
P31 XP 75x200	343 488	200 (5.91")	0.8 (0.032")	1 (0.039")	30 (1.18")	100 (3.94")	458 (18.05")
P31 XP 75x300	343 489	300 (7.87")	1 (0.039")	1 (0.039")	30 (1.18")	100 (3.94")	558 (21.99")
P31 XP 75x400	343 490	400 (11.81")	1 (0.039")	1 (0.039")	50 (1.97")	150 (5.91")	798 (31.44")
P31 XP 75x500	343 491	500 (19.69")	1 (0.039")	1 (0.039")	50 (1.97")	150 (5.91")	898 (35.38")

NORMES/STANDARD

MATIERE / MATERIAL
 S 235 JR

EN 10 025

PROTECTION / COATING
 GC/HDG

EN ISO 1461