

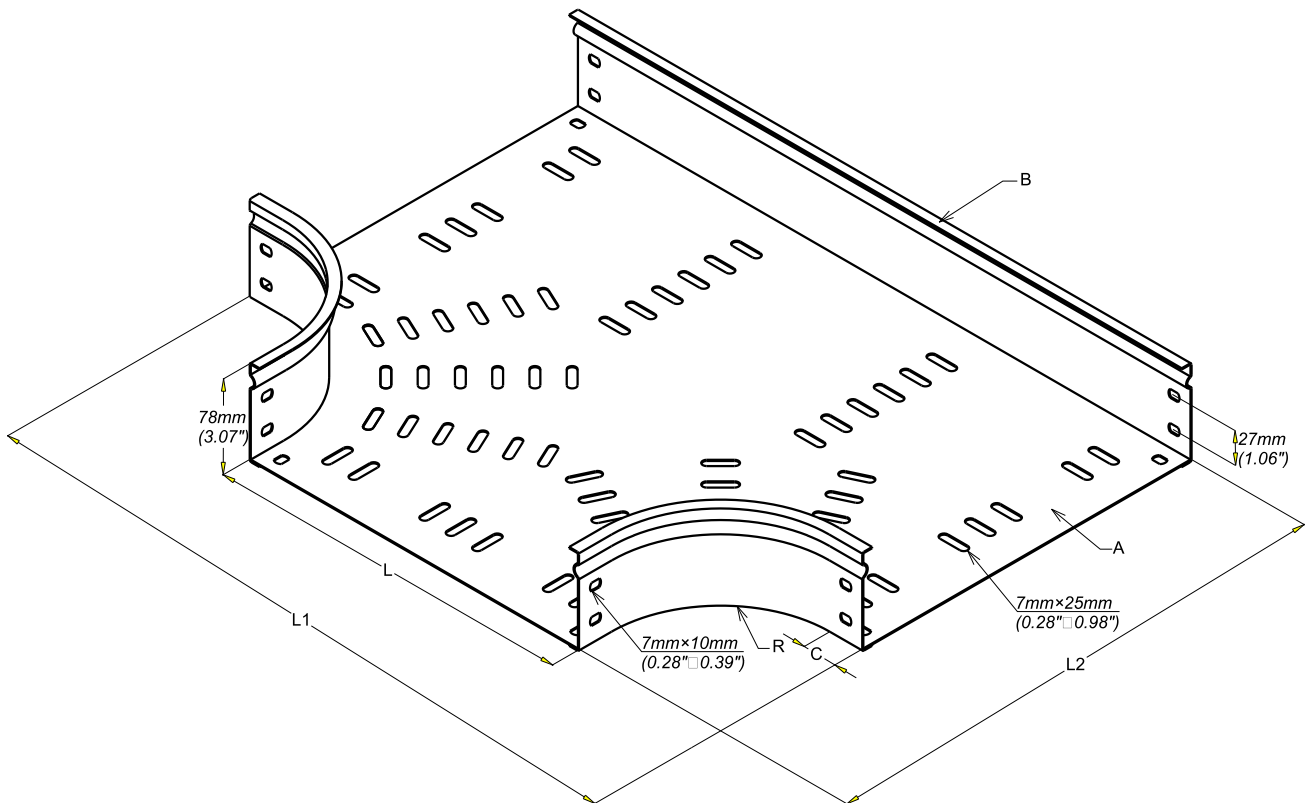
TE P31 TEP H75 100 à 500  
PERFORATED T-piece P31 75x100 to 500

GC  
HDG

**legrand** CABLE  
MANAGEMENT

FT0764-3

11 13



REF	CODE	L /L	A /A	B /B	C /C	R /R	L1 /L1	L2 /L2
		(mm)	(inch)	(mm)	(inch)	(mm)	(mm)	(mm)
P31 TEP 75x100	343 460	100 (3.94")	0.8 (0.032")	1 (0.039")	30 (1.18")	100 (3.94")	358 (14.11")	229 (9.02")
P31 TEP 75x150	343 461	150 (5.91")	0.8 (0.032")	1 (0.039")	30 (1.18")	100 (3.94")	408 (16.08")	279 (10.99")
P31 TEP 75x200	343 462	200 (7.87")	0.8 (0.032")	1 (0.039")	30 (1.18")	100 (3.94")	458 (18.05")	329 (12.96")
P31 TEP 75x300	343 463	300 (11.81")	1 (0.039")	1 (0.039")	30 (1.18")	100 (3.94")	558 (21.99")	429 (16.90")
P31 TEP 75x400	343 464	400 (15.75")	1 (0.039")	1 (0.039")	50 (1.97")	150 (5.91")	798 (31.44")	599 (23.60")
P31 TEP 75x500	343 465	500 (19.69")	1 (0.039")	1 (0.039")	50 (1.97")	150 (5.91")	898 (35.38")	699 (27.54")

NORMES/STANDARD

MATIERE / MATERIAL  
S 235 JR

EN 10 025-2

PROTECTION / COATING  
GC/HDG

Class 6 according  
to CEI 61537

Propriété exclusive de LEGRAND, ne peut être ni copié, ni transmis à des tiers sans autorisation écrite.

Exclusive property of LEGRAND shouldn't be reproduced or transmitted to any people

without written authorization