

COUDE 90 P31 FBP H50 100 à 500  
Perforated Flat bend P31 100x50 to 500

GC  
HDG

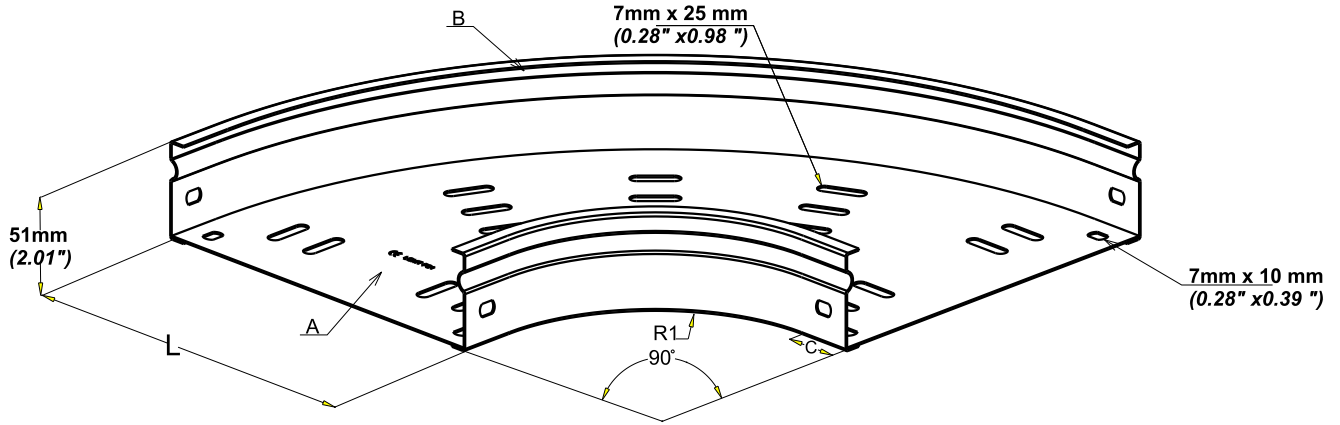


CABLE  
MANAGEMENT

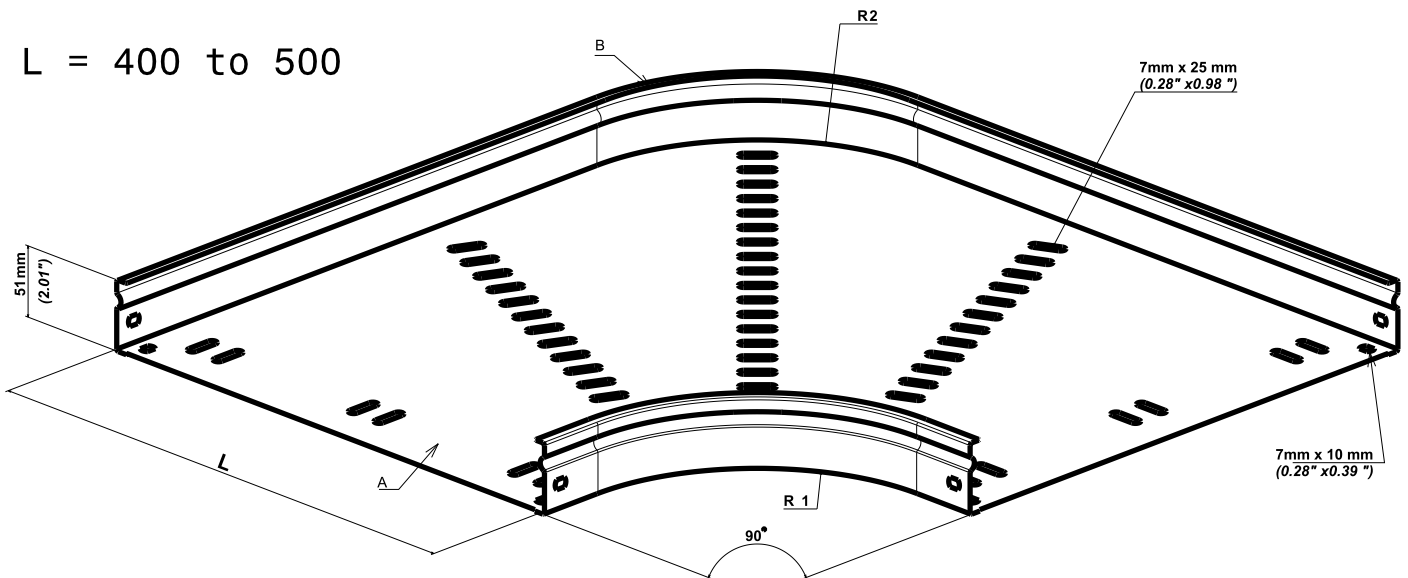
FT0755-3

12 16

L = 100 to 300



L = 400 to 500



REF	CODE	L /L (mm)	(inch)	A /A (mm)	(inch)	B /B (mm)	(inch)	C /C (mm)	(inch)	R1 / R1 (mm)	(inch)	R2 / R2 (mm)	(inch)
P31 FBP 50x100	343 190	100	(3.94")	0.8	(0.032")	1	(0.039")	30	(1.18")	100	(3.94")	/	/
P31 FBP 50x150	343 191	150	(5.91")	0.8	(0.032")	1	(0.039")	30	(1.18")	100	(3.94")	/	/
P31 FBP 50x200	343 192	200	(5.91")	0.8	(0.032")	1	(0.039")	30	(1.18")	100	(3.94")	/	/
P31 FBP 50x300	343 193	300	(7.87")	1	(0.039")	1	(0.039")	30	(1.18")	100	(3.94")	/	/
P31 FBP 50x400	343 194	400	(11.81")	1	(0.039")	1	(0.039")	50	(1.97")	150	(5.91")	150	(5.91")
P31 FBP 50x500	343 195	500	(19.69")	1	(0.039")	1	(0.039")	50	(1.97")	150	(5.91")	150	(5.91")

<b>Material</b>	<b>Standard</b>
S 235 JR	EN 10 025-2
<b>Finition Coating</b>	<b>Standard</b>
GC / HDG	Class 6 according to CEI 61537

Propriété exclusive de LEGRAND, ne peut être ni copié, ni transmis à des tiers sans autorisation écrite.

Exclusive property of LEGRAND shouldn't be reproduced or transmitted to any people without written authorization