

COUDE 90 P31 FBP H25 100 à 500
Perforated Flat bend P31 100x50 to 500

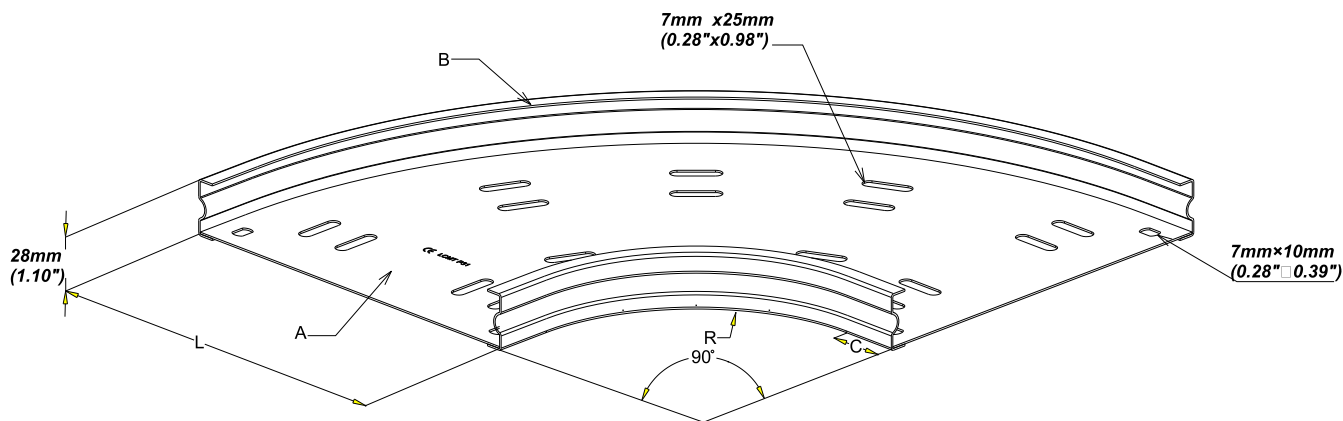
**GC
 HDG**



**CABLE
 MANAGEMENT**

FT0754-3

11 13



REF	CODE	L /L (mm) (inch)	A /A (mm) (inch)	B /B (mm) (inch)	C /C (mm) (inch)	R /R (mm) (inch)
P31 FBP 25x100	343 184	100 (3.94")	0.8 (0.032")	1 (0.039")	30 (1.18")	100 (3.94")
P31 FBP 25x150	343 185	150 (5.91")	0.8 (0.032")	1 (0.039")	30 (1.18")	100 (3.94")
P31 FBP 25x200	343 186	200 (5.91")	0.8 (0.032")	1 (0.039")	30 (1.18")	100 (3.94")
P31 FBP 25x300	343 187	300 (7.87")	1 (0.039")	1 (0.039")	30 (1.18")	100 (3.94")
P31 FBP 25x400	343 188	400 (11.81")	1 (0.039")	1 (0.039")	50 (1.97")	150 (5.91")
P31 FBP 25x500	343 189	500 (19.69")	1 (0.039")	1 (0.039")	50 (1.97")	150 (5.91")

NORMES/STANDARD

MATIERE / MATIERAL
S 235 JR

EN 10 025-2

PROTECTION / COATING
GC/HDG

**Class 6 according
 to CEI 61537**