

DALLE P31 HBM75 100 à 500
 TRAY P31 PERF HB H75 100 to 500

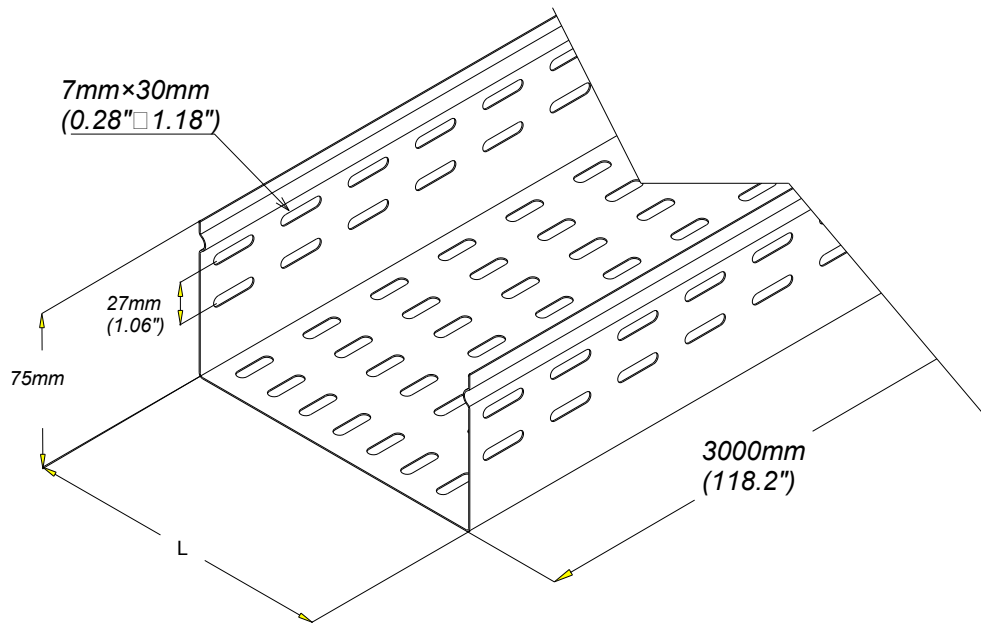
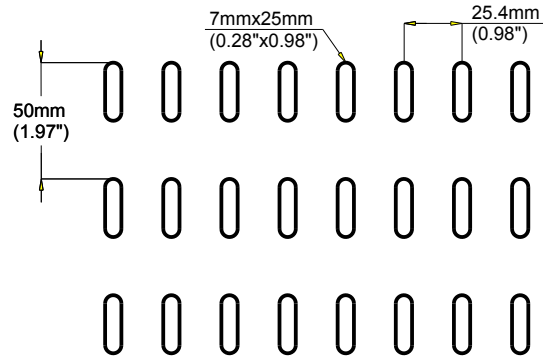
GS
 PG

legrand | CABLE
 MANAGEMENT

FT0742-0

11 13

P31 HBM 75x100 à 500



REF	CODE	POIDS /WEIGHT		L / L		EP. / TH.	
		(Kg/m)	(lb/ft)	(mm)	(inch)	(mm)	(inch)
P31 HBM 75x100	340 848	1.939	1.292	100	(3.937")	1.1	(0.043")
P31 HBM 75x150	340 849	2.315	1.543	150	(5.906")	1.1	(0.043")
P31 HBM 75x200	340 850	2.691	1.794	200	(7.874")	1.1	(0.043")
P31 HBM 75x300	340 851	3.753	2.502	300	(11.811")	1.2	(0.047")
P31 HBM 75x400	340 853	5.328	3.552	400	(15.748")	1.4	(0.055")
P31 HBM 75x500	340 854	6.285	4.190	500	(19.685")	1.4	(0.055")

Material	Standard
DX 51 D Z 275 MAC	EN 10 346