

DALLE P31 HBM100 100 à 500
TRAY P31 PERF HB H100 100 to 500

**GC
HDG**

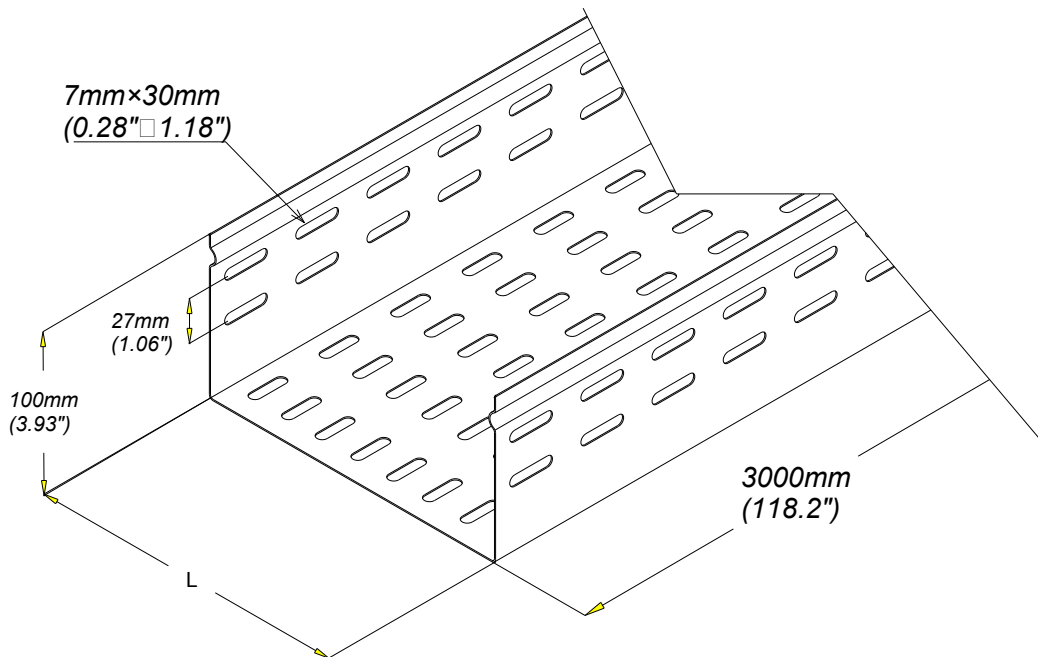
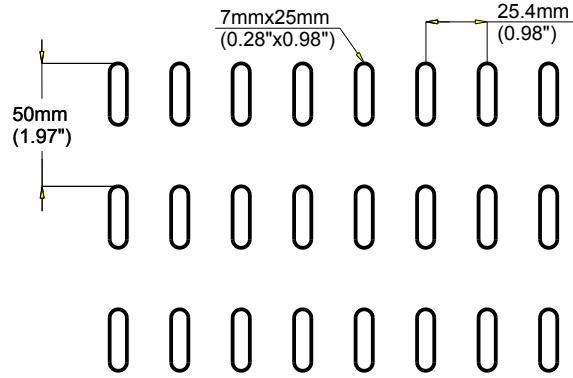


**CABLE
MANAGEMENT**

FT0742-3

11 13

P31 HBM 100x100 à 500



REF	CODE	POIDS /WEIGHT		L / L		EP. / TH.	
		(Kg/m)	(lb/ft)	(mm)	(inch)	(mm)	(inch)
P31 HBM 100x100	342 848	2.133	1.422	100	(3.937")	1.1	(0.043")
P31 HBM 100x150	342 849	2.546	1.697	150	(5.906")	1.1	(0.043")
P31 HBM 100x200	342 850	2.960	1.973	200	(7.874")	1.1	(0.043")
P31 HBM 100x300	342 851	4.128	2.752	300	(11.811")	1.2	(0.047")
P31 HBM 100x400	342 853	5.861	3.907	400	(15.748")	1.4	(0.055")
P31 HBM 100x500	342 854	6.913	4.608	500	(19.685")	1.4	(0.055")

NORMES/STANDARD

MATIERE / MATIERAL
S 235 JR
PROTECTION / COATING
GC/HDG

EN 10 025
EN ISO 1461