

DALLE P31 HBM25 100 to 200
 TRAY P31 PERF HB H25 100 to 200

GC
 HDG

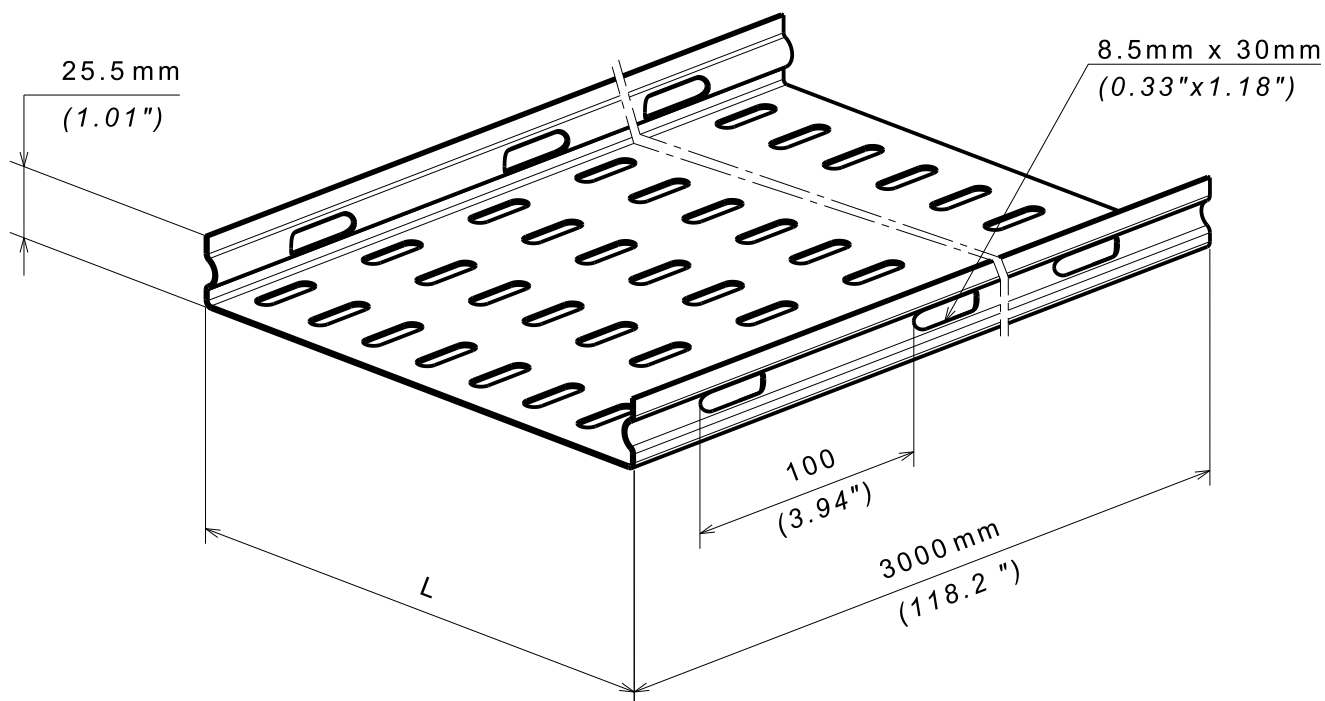
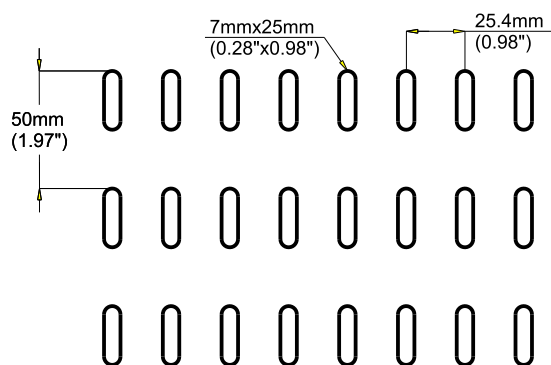


CABLE
 MANAGEMENT

FT0738-3

01 13

P31 HBM 25x100 à 200



REF	CODE	POIDS / WEIGHT		L / L		EP. / TH.	
		(Kg/m)	(lb/ft)	(mm)	(inch)	(mm)	(inch)
P31 HBM 25x100	342 442	1.057	0.710	100	(3.937")	0.9	(0.035")
P31 HBM 25x150	342 443	1.700	1.142	150	(5.906")	1.1	(0.043")
P31 HBM 25x200	342 444	2.113	1.420	200	(7.874")	1.1	(0.043")

Material	Standard
DC01	EN 10130
Finition Coating	Standard
GC / HDG	Class 6 according to CEI 61537

Propriété exclusive de LEGRAND, ne peut être ni copié, ni transmis à des tiers sans autorisation écrite.

Exclusive property of LEGRAND shouldn't be reproduced or transmitted to any people without written authorization