

DALLE P31 HBM25 75
TRAY P31 PERF HB H25 75

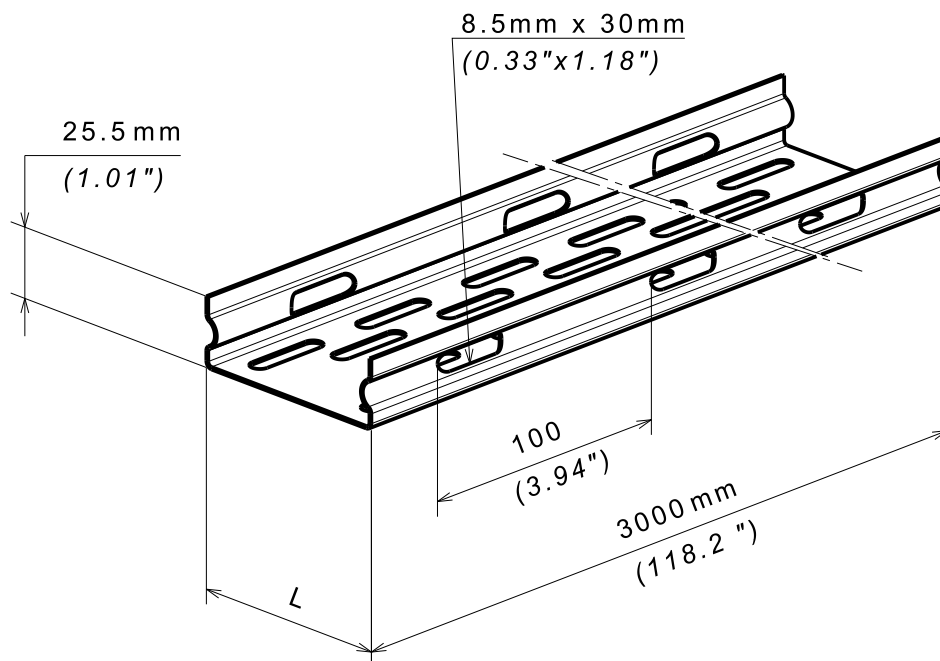
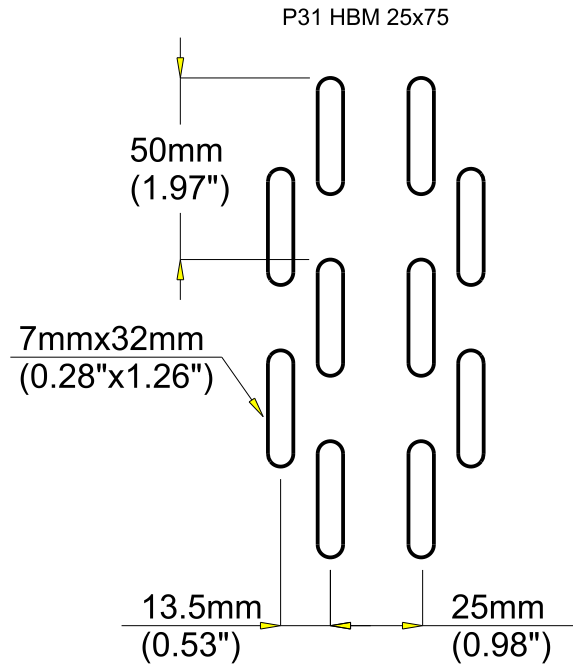
GS / PG



CABLE
MANAGEMENT

FT0737-0

01 13



REF	CODE	POIDS /WEIGHT		L / L		EP. / TH.	
		(Kg/m)	(lb/ft)	(mm)	(inch)	(mm)	(inch)
P31 HBM 25x75	341 387	0.771	0.518	77	(3.031")	0.9	(0.035")

Material	Standard
DX51D Z 200 MAC	EN 10 346

Propriété exclusive de LEGRAND, ne peut être ni copié, ni transmis à des tiers sans autorisation écrite.

Exclusive property of LEGRAND shouldn't be reproduced or transmitted to any people without written authorization