

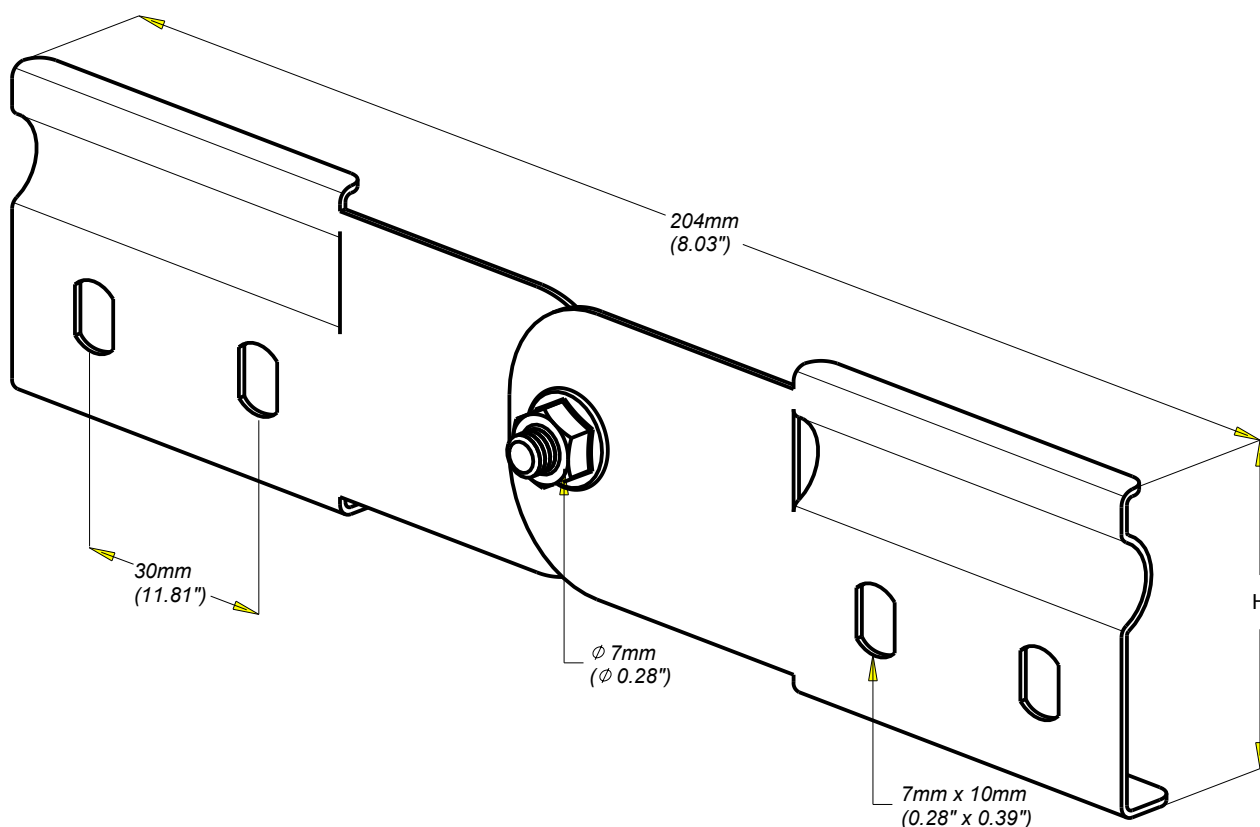
**ECLISSE ART JONCT VERT P31**  
**VERT ADJ COUPLER P31**

**GC**  
**HDG**

**legrand** | **CABLE**  
**MANAGEMENT**

**FT0728-3**

**11 13**



REF	CODE	POIDS /WEIGHT		H /H		EP. /TH.		NORMES/STANDARD
		(Kg)	(lb)	(mm)	(inch)	(mm)	(inch)	
P31 EV 50	343 565	0.200	0.440	48	(1.890")	1.4	(0.055")	MATIERE / MATERIAL S 235 JR
P31 EV 75	343 624	0.280	0.616	75	(2.953")	1.4	(0.055")	
P31 EV 100	343 677	0.330	0.726	98	(3.858")	1.4	(0.055")	PROTECTION / COATING GC/HDG

Propriété exclusive de LEGRAND, ne peut être ni copié, ni transmis à des tiers sans autorisation écrite.

Exclusive property of LEGRAND shouldn't be reproduced or transmitted to any people

without written authorization