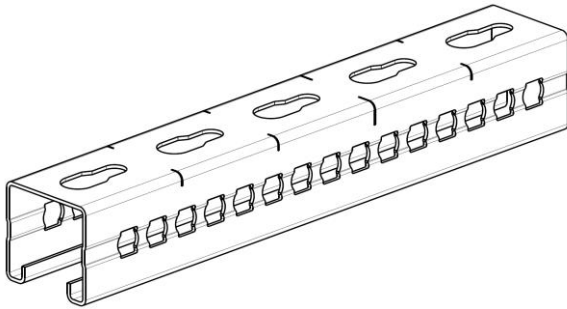
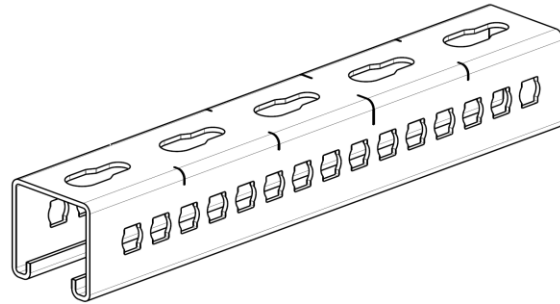
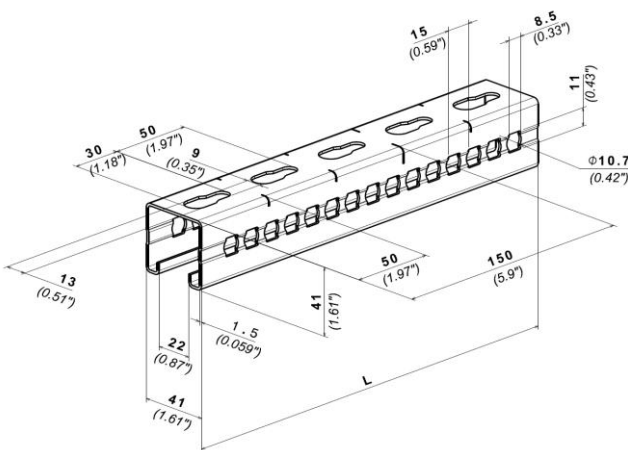


**R41SP**
**Reference(s) : 343 930 – 343 933 – 343 934 – 343 730 –  
343 733– 343 610 – 343 613 – 343 614**
**E15**

**E20/E25**

**1. RANGE**

Ref	Code	Matière Raw material	Norme Standard	Finition Coating	Norme standard	Epaisseur Thickness (mm / Inch)	L Length (mm / Inch)	Masse / Weight (KG / lb)
R41SP 3000 E15	343610	S250GD Z275 MAC	EN 10346	GS	/	1,5 / 0,059"	3000 / 118	4,333 / 9,533
R41SP 3000 E15	343613	S235 JR	EN 10025	GC	Class 6 according to CEI 61537	1,5 / 0,059"	3000 / 118	4,633 / 10,193
R41SP 3000 E15	343614	X2CrNiMo 17-12-2	EN 10 088-2	INOX 316L	/	1,5 / 0,059"	3000 / 118	4,436 / 9,759
R41SP 3000 E20	343930	S250GD Z275 MAC	EN 10346	GS	/	2 / 0,079"	3000 / 118	5,599 / 12,318
R41SP 3000 E20	343933	S235 JR	EN 10025	GC	Class 6 according to CEI 61537	2 / 0,079"	3000 / 118	5,990 / 13,178
R41SP 3000 E20	343934	X2CrNiMo 17-12-2	EN 10 088-2	INOX 316L	/	2 / 0,079"	3000 / 118	5,733 / 12,613
R41SP 3000 E25	343730	S250GD Z275 MAC	EN 10346	GS	/	2,5 / 0,098"	3000 / 118	6,784 / 14,925
R41SP 3000 E25	343733	S235 JR	EN 10025	GC	Class 6 according to CEI 61537	2,5 / 0,098"	3000 / 118	7,258 / 15,968

**2. Dimensions (mm/inch)**
**E15**

**E20/E25**
