

**CLIP POUR COUVERCLE
CLIPCO**

 Reference(s) : 348 420 / 427 / 428
348 580 / 587 / 588

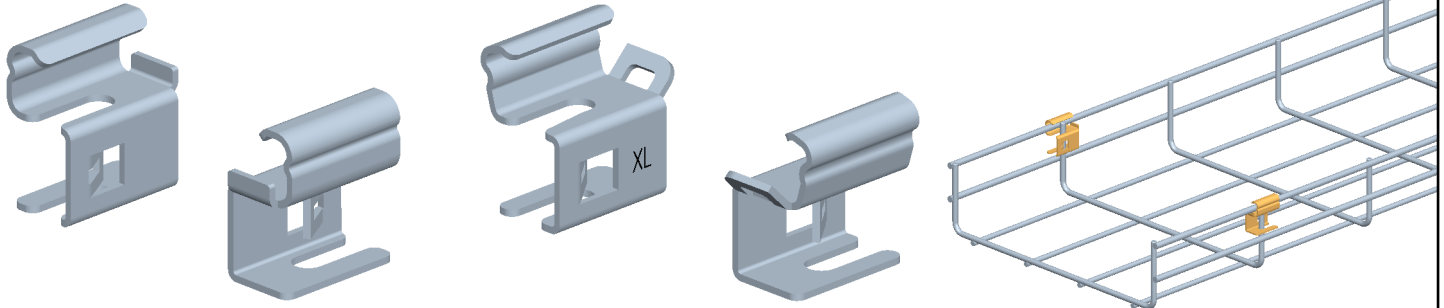

ZF31 H25->100mm



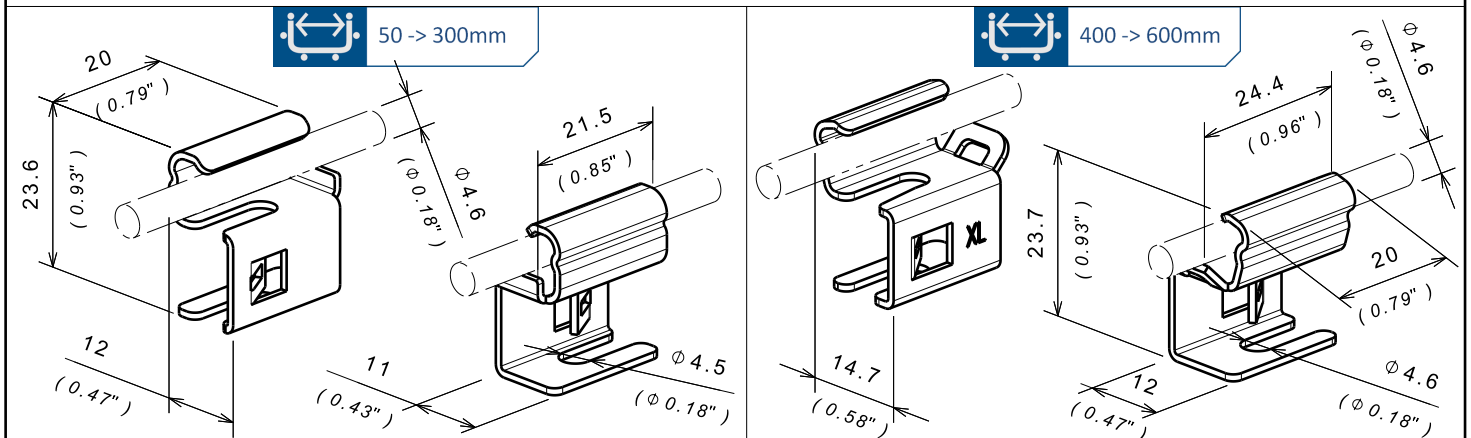
3 m



50 -> 600mm


1. GAMME / RANGE

| Designation | Code | Poids / Weight (Kg) (lb) | Epaisseur / Thickness (mm) (inch) | Matière / Material | Norme / Standard | Finition / Coating | Classe de résistance contre la corrosion / Class for resistance against corrosion |
|---------------|---------|--------------------------------|---|--------------------|------------------|-------------------------------------|---|
| CLIPCO GS | 348 580 | 0.0075 0.039 | 1 0.039" | DX 53 D Z200 | EN 10130 | GS / PG | - |
| CLIPCO DC | 348 587 | 0.0075 0.039 | 1 0.039" | DX 53 D Z200 | EN 10130 | Zinc Lamellaire / Zinc Rich Coating | Class 6 according to CEI / IEC 61537 |
| CLIPCO 304 | 348 588 | 0.0075 0.039 | 1 0.039" | X5 Cr Ni 18-10 | EN 10088-2 | IN304 / SS304 | - |
| CLIPCO XL GS | 348 420 | 0.0072 0.038 | 1 0.039" | DX 53 D Z200 | EN 10130 | GS / PG | - |
| CLIPCO XL DC | 348 427 | 0.0072 0.038 | 1 0.039" | DX 53 D Z200 | EN 10130 | Zinc Lamellaire / Zinc Rich Coating | Class 6 according to CEI / IEC 61537 |
| CLIPCO XL 304 | 348 428 | 0.0072 0.038 | 1 0.039" | X5 Cr Ni 18-10 | EN 10088-2 | IN304 / SS304 | - |

2. DIMENSIONS (mm/inch)

3. INSTALLATION
