

Console Lourde - CRP
Heavy Duty Bracket - CRP

GC
HDG

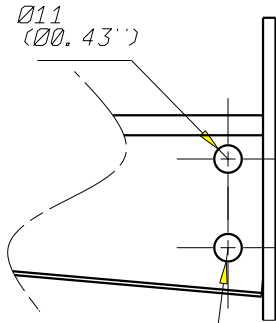
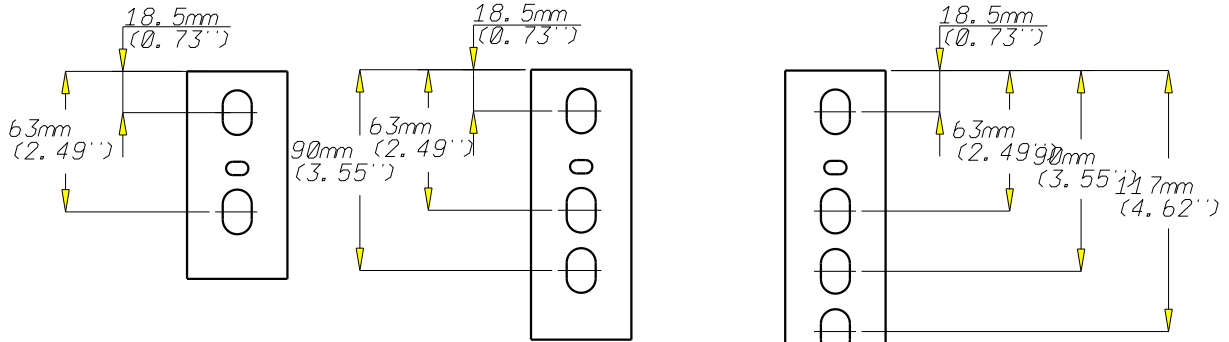
legrand® CABLE MANAGEMENT

FT0663-3 09 13

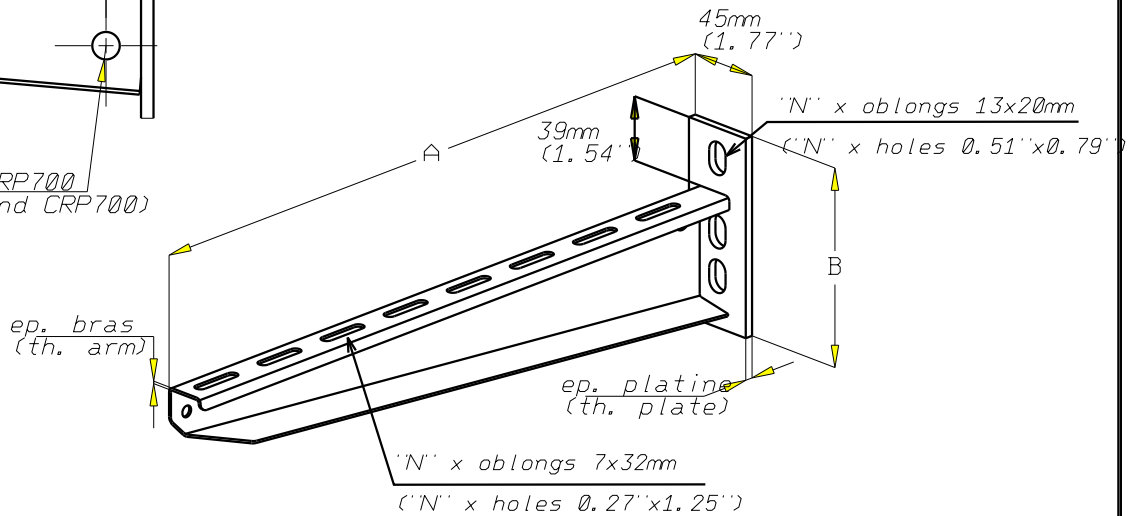
CRP100 - 300

CRP400 - 600

CRP700



$\varnothing 11$ pour CRP600 et CRP700
(0.43" for CRP600 and CRP700)



REF	CODE	POIDS (kg)	WEIGHT (lb)	A (mm)	A (inch)	B (mm)	B (inch)	ep. platine (mm)	th. plate (inch)	ep. bras (mm)	th. arm (inch)	"N"
CRP100	557 213	0.185	0.410	119	4.69	93	3.66	4	0.16	1	0.04	2
CRP200	557 233	0.272	0.600	219	8.63	103	4.06	4	0.16	1	0.04	2
CRP300	557 243	0.440	0.970	319	12.58	111	4.37	4	0.16	1.2	0.05	2
CRP400	557 253	0.640	1.410	419	16.52	121	4.77	4	0.16	1.5	0.06	3
CRP500	557 263	0.829	1.835	519	20.46	128	5.04	6	0.24	1.8	0.07	3
CRP600	557 273	1.231	2.725	619	24.41	138	5.44	6	0.24	2	0.08	3
CRP700	557 383	1.446	3.200	719	28.35	146	5.75	6	0.24	2.5	1.00	4

NORMES / STANDARD

MATIERE / MATERIAL

S235 JR

EN 10 025-2

PROTECTION / COATING

GC / HDG

Class 6 according to CEI 61537

Propriété exclusive de Legrand, ne peut être ni copié, ni transmis à des tiers sans autorisation écrite.

Exclusive property of Legrand shouldn't be reproduced or transmitted to any people

without written authorization