

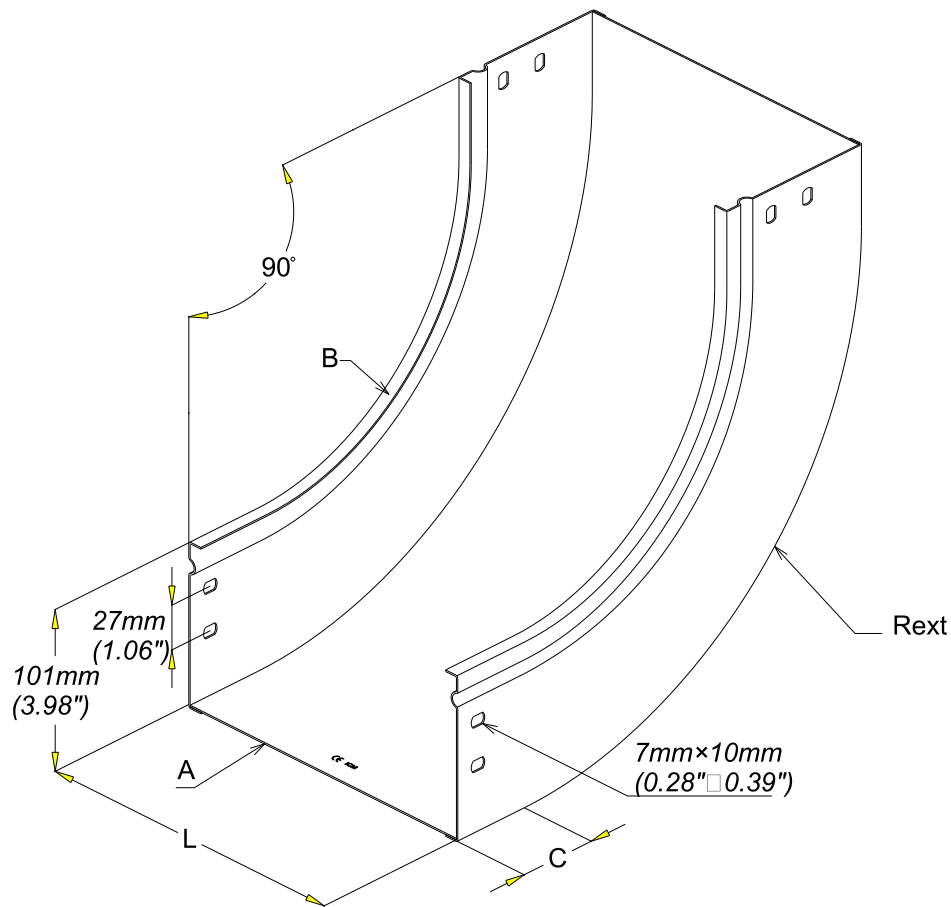
CHT PL CONC P31 IR H100 100 à 600
INSIDE RISER P31 100x100 to 600

GC
HDG

legrand | CABLE
MANAGEMENT

FT0609-3

10 16



REF	CODE	L /L (mm) (inch)	A /A (mm) (inch)	B /B (mm) (inch)	C /C (mm) (inch)	R /R (mm) (inch)
P31 IR 100x100	342 995	100 (3.94")	0.8 (0.032")	1 (0.039")	30 (1.18")	251 (9.88")
P31 IR 100x150	342 996	150 (5.91")	0.8 (0.032")	1 (0.039")	30 (1.18")	251 (9.88")
P31 IR 100x200	342 997	200 (5.91")	0.8 (0.032")	1 (0.039")	30 (1.18")	251 (9.88")
P31 IR 100x300	342 998	300 (7.87")	1 (0.039")	1 (0.039")	30 (1.18")	251 (9.88")
P31 IR 100x400	342 999	400 (11.81")	1 (0.039")	1 (0.039")	50 (1.97")	251 (9.88")
P31 IR 100x500	343 000	500 (19.69")	1 (0.039")	1 (0.039")	50 (1.97")	251 (9.88")
P31 IR 100x600	350 522	600 (23.62")	1 (0.039")	1 (0.039")	50 (1.97")	251 (9.88")

Material	Standard	Finishes	Standard
S235 JR	EN 10130	HDG	Class 6 according to CEI 61537

Propriété exclusive de LEGRAND, ne peut être ni copié, ni transmis à des tiers sans autorisation écrite.

Exclusive property of LEGRAND shouldn't be reproduced or transmitted to any people without written authorization