

DERIVATION P31 B H100 100 à 600  
Branch piece P31 100x100 to 600

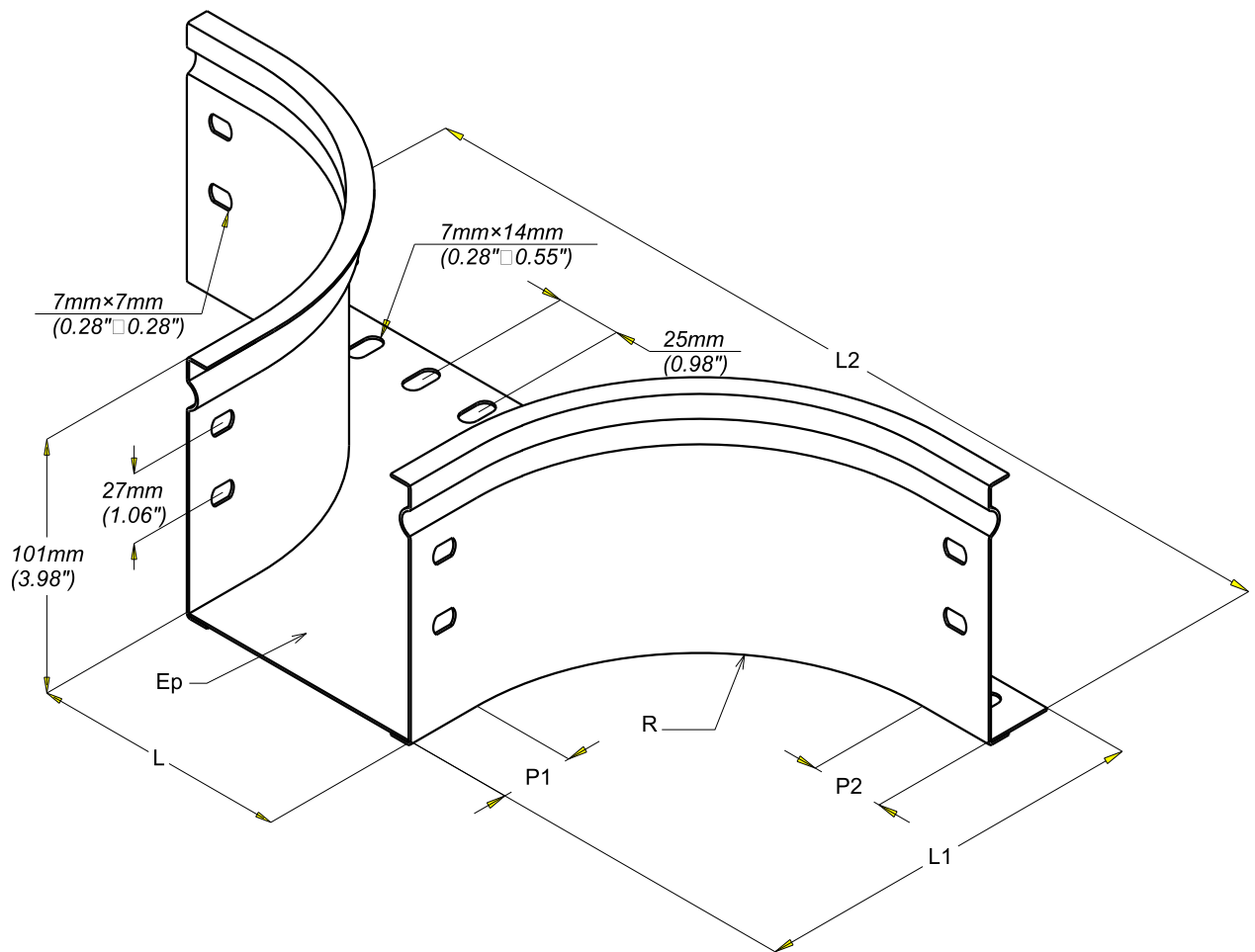
GS  
PG



CABLE  
MANAGEMENT

FT0607-0

10 16



REF	CODE	L /L		Ep /Th		P1 /P1		P2 /P2		R /R		L1 /L1		L2 /L2	
		(mm)	(inch)	(mm)	(inch)	(mm)	(inch)	(mm)	(inch)	(mm)	(inch)	(mm)	(inch)	(mm)	(inch)
P31 B 100x100	340 439	100	(3.94")	0.8	(0.032")	30	(1.18")	30	(1.18")	99	(3.90")	155	(6.10")	357.5	(14.07")
P31 B 100x150	340 441	150	(5.91")	0.8	(0.032")	30	(1.18")	30	(1.18")	99	(3.90")	155	(6.10")	407.5	(16.04")
P31 B 100x200	340 445	200	(5.91")	0.8	(0.032")	30	(1.18")	30	(1.18")	99	(3.90")	155	(6.10")	457.5	(18.01")
P31 B 100x300	340 446	300	(7.87")	1	(0.039")	30	(1.18")	30	(1.18")	99	(3.90")	155	(6.10")	557.5	(21.95")
P31 B 100x400	340 498	400	(11.81")	1	(0.039")	51	(2.01")	49	(1.93")	149	(5.87")	226	(8.90")	795.5	(31.32")
P31 B 100x500	340 499	500	(19.69")	1	(0.039")	51	(2.01")	49	(1.93")	149	(5.87")	226	(8.90")	895.5	(35.26")
P31 B 100x600	340 500	600	(23.62")	1	(0.039")	51	(2.01")	49	(1.93")	149	(5.87")	226	(8.90")	995.5	(39.19")

<b>Material</b>	<b>Standard</b>
DX 51 D Z 200 MAC	EN 10 346

Propriété exclusive de LEGRAND, ne peut être ni copié, ni transmis à des tiers sans autorisation écrite.

Exclusive property of LEGRAND shouldn't be reproduced or transmitted to any people without written authorization