

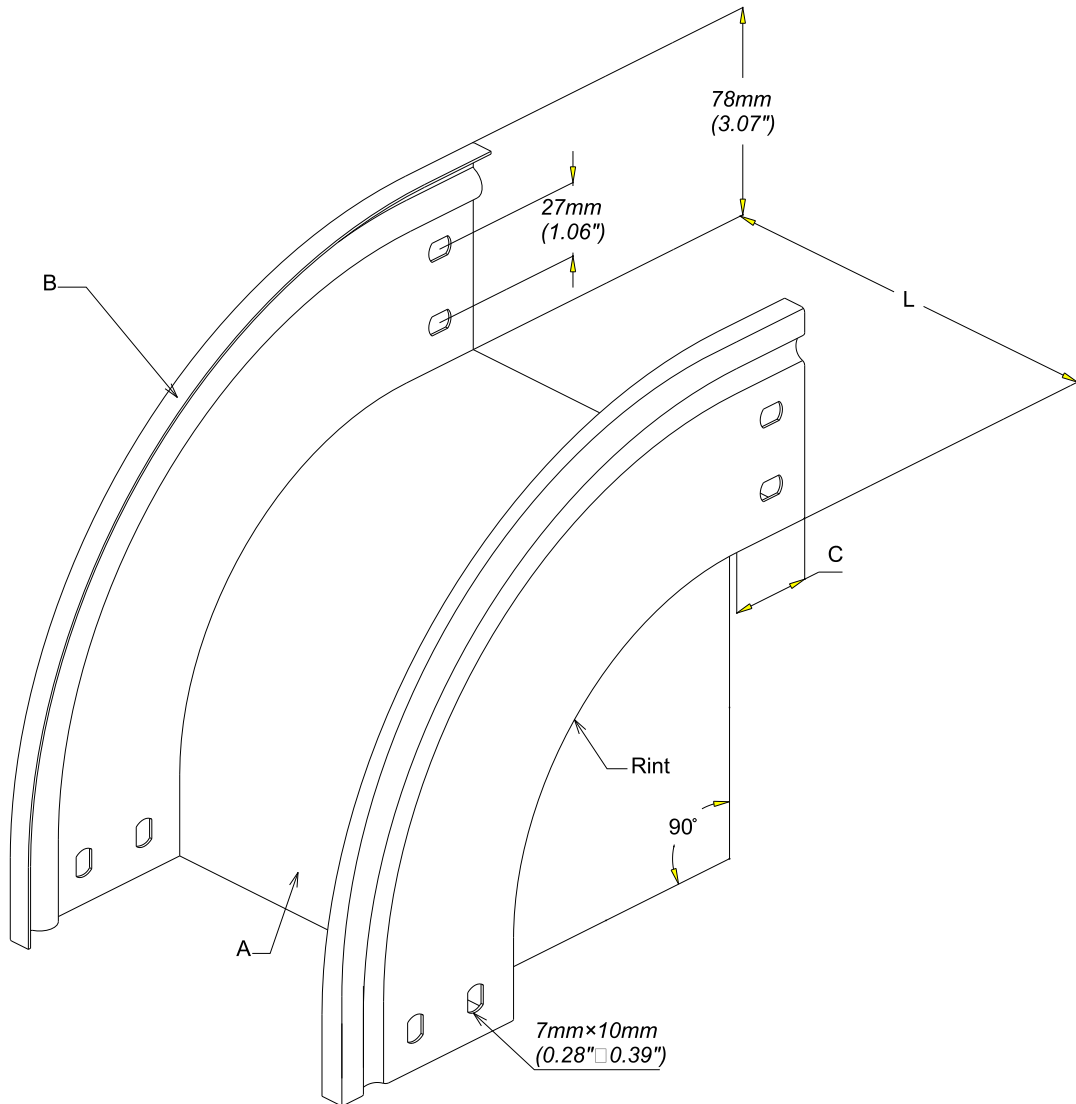
CHT PL CONV P31 OR H75 75 à 600
OUTSIDE RISER P31 75x75 to 600

GC
HDG

legrand | CABLE
MANAGEMENT

FT0601-3

10 16



REF	CODE	L /L (mm) (inch)	A /A (mm) (inch)	B /B (mm) (inch)	C /C (mm) (inch)	R /R (mm) (inch)
P31 OR 75x75	343 046	75 (2.92")	0.8 (0.032")	1 (0.039")	30 (1.18")	100 (3.94")
P31 OR 75x100	343 047	100 (3.94")	0.8 (0.032")	1 (0.039")	30 (1.18")	100 (3.94")
P31 OR 75x150	343 048	150 (5.91")	0.8 (0.032")	1 (0.039")	30 (1.18")	100 (3.94")
P31 OR 75x200	343 049	200 (5.91")	0.8 (0.032")	1 (0.039")	30 (1.18")	100 (3.94")
P31 OR 75x300	343 050	300 (7.87")	1 (0.039")	1 (0.039")	30 (1.18")	100 (3.94")
P31 OR 75x400	343 051	400 (11.81")	1 (0.039")	1 (0.039")	50 (1.97")	171 (6.73")
P31 OR 75x500	343 052	500 (19.69")	1 (0.039")	1 (0.039")	50 (1.97")	171 (6.73")
P31 OR 75x600	343 053	600 (23.62")	1 (0.039")	1 (0.039")	50 (1.97")	171 (6.73")

Material	Standard	Finishes	Standard
S 235 JR	EN 10 025-2	HDG	Class 6 according to CEI 61537

Propriété exclusive de LEGRAND, ne peut être ni copié, ni transmis à des tiers sans autorisation écrite.

Exclusive property of LEGRAND shouldn't be reproduced or transmitted to any people without written authorization