

DERIVATION P31 B H75 75 à 400  
Branch piece P31 75x75 to 400

INOX 304L  
SS304L

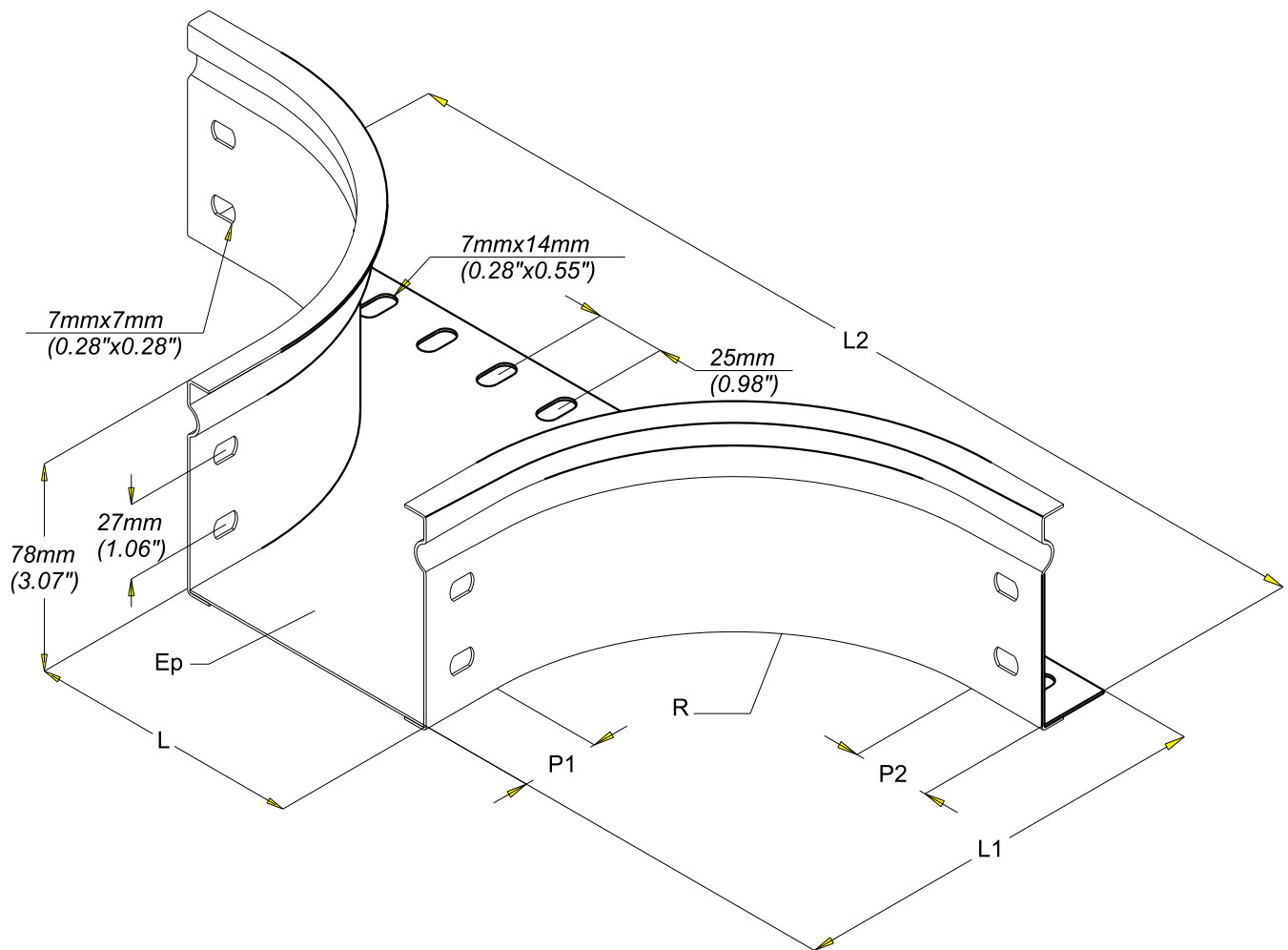


CABLE  
MANAGEMENT

FT0600-8

04-16

P31 DERIVATION H75 L75-400



REF	CODE	L / L		Ep / Th		P1 / P1		P2 / P2		R / R		L1 / L1		L2 / L2		WEIGHT KG / lb
		(mm)	(inch)	(mm)	(inch)	(mm)	(inch)	(mm)	(inch)	(mm)	(inch)	(mm)	(inch)	(mm)	(inch)	
P31 B 75x75	346 282	77	3.03"	0.8	0.032"	30	1.18"	30	1.18"	99	3.90"	155	6.10"	334.5	13.17"	0.89/0.598"
P31 B 75x100	346 283	100	3.94"	0.8	0.032"	30	1.18"	30	1.18"	99	3.90"	155	6.10"	357.5	14.07"	1.05/0.705"
P31 B 75x150	346 284	150	5.91"	0.8	0.032"	30	1.18"	30	1.18"	99	3.90"	155	6.10"	407.5	16.04"	1.29/0.866"
P31 B 75x200	346 285	200	7.87"	0.8	0.032"	30	1.18"	30	1.18"	99	3.90"	155	6.10"	457.5	18.01"	1.51/1.014"
P31 B 75x300	346 286	300	11.81"	1	0.039"	30	1.18"	30	1.18"	99	3.90"	155	6.10"	557.5	21.95"	1.84/1.236"
P31 B 75x400	346 287	400	15.74"	1	0.039"	30	1.18"	30	1.18"	99	3.90"	155	6.10"	657.5	25.88"	2.45/1.646"

Material	Standard
X2 Cr Ni 18-9	EN 10 088-2

Propriété exclusive de LEGRAND, ne peut être ni copié, ni transmis à des tiers sans autorisation écrite.

Exclusive property of LEGRAND shouldn't be reproduced or transmitted to any people without written authorization