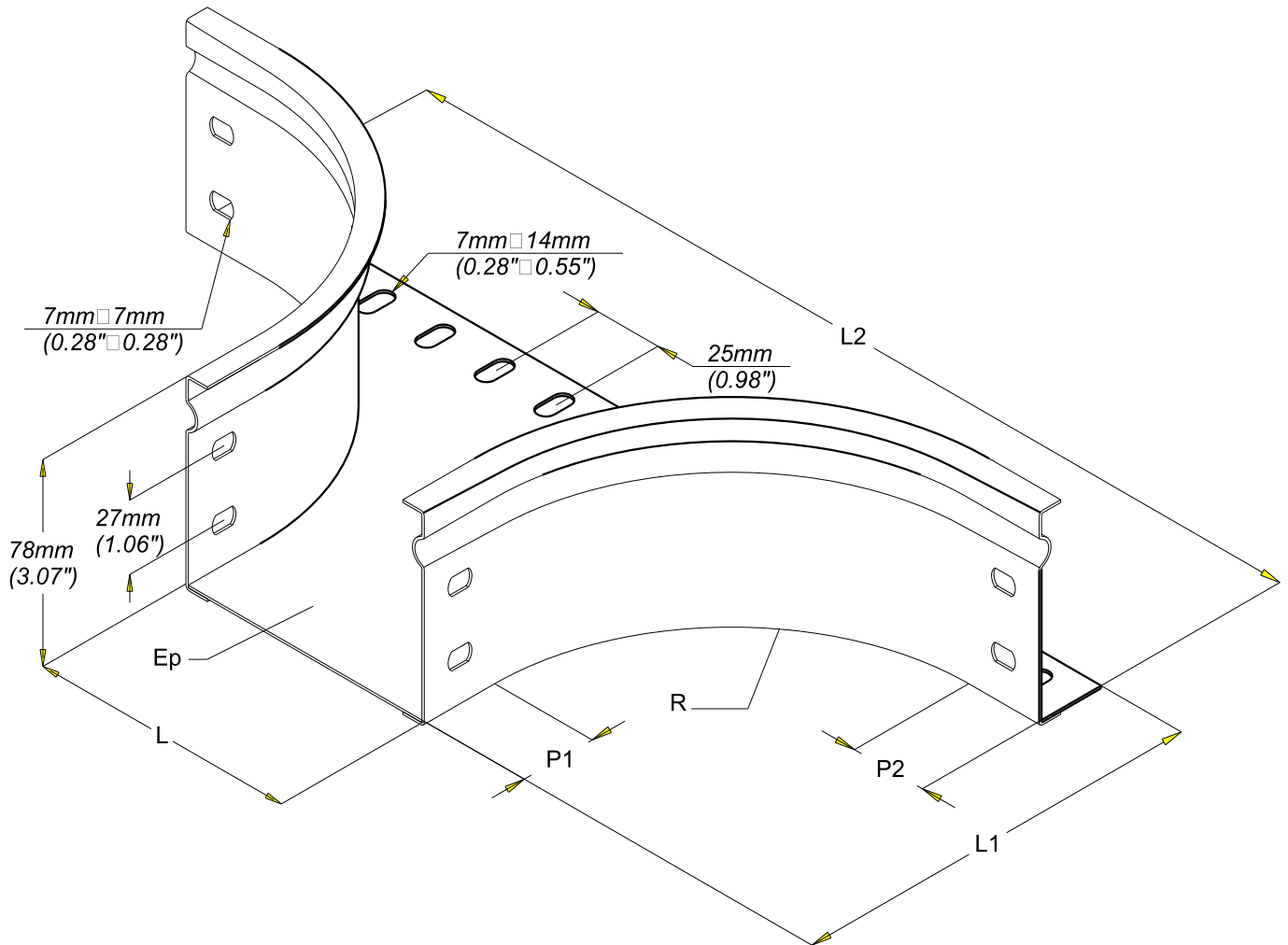


DERIVATION P31 B H75 75 à 600 GC
Branch piece P31 75x75 to 600 HDG

FT0600-3

10 16



Material	Standard	Finishes	Standard
S 235 JR	EN 10 025-2	HDG	Class 6 according to CEI 61537

REF	CODE	L / L	Ep / Th	P1 / P1	P2 / P2	R / R	L1 / L1	L2 / L2	WEIGHT
		(mm) (inch)	(mm) (inch)	(mm) (inch)	(mm) (inch)	(mm) (inch)	(mm) (inch)	(mm) (inch)	KG / lb
P31 B 75x75	342 139	77 (3.03")	0.8 (0.032")	30 (1.18")	30 (1.18")	99 (3.90")	155 (6.10")	334.5 (13.17")	0.89/1.962"
P31 B 75x100	342 140	100 (3.94")	0.8 (0.032")	30 (1.18")	30 (1.18")	99 (3.90")	155 (6.10")	357.5 (14.07")	1.05/2.315"
P31 B 75x150	342 148	150 (5.91")	0.8 (0.032")	30 (1.18")	30 (1.18")	99 (3.90")	155 (6.10")	407.5 (16.04")	1.29/2.844"
P31 B 75x200	342 149	200 (5.91")	0.8 (0.032")	30 (1.18")	30 (1.18")	99 (3.90")	155 (6.10")	457.5 (18.01")	1.51/3.329"
P31 B 75x300	342 188	300 (7.87")	1 (0.039")	30 (1.18")	30 (1.18")	99 (3.90")	155 (6.10")	557.5 (21.95")	1.84/4.057"
P31 B 75x400	342 198	400 (11.81")	1 (0.039")	51 (2.01")	49 (1.93")	149 (5.87")	226 (8.90")	795.5 (31.32")	2.45/5.401"
P31 B 75x500	342 199	500 (19.69")	1 (0.039")	51 (2.01")	49 (1.93")	149 (5.87")	226 (8.90")	895.5 (35.26")	2.85/6.283"
P31 B 75x600	350 514	600 (23.62")	1 (0.039")	51 (2.01")	49 (1.93")	149 (5.87")	226 (8.90")	995.5 (39.19")	3.43/7.562"

Propriété exclusive de LEGRAND, ne peut être ni copié, ni transmis à des tiers sans autorisation écrite.

Exclusive property of LEGRAND shouldn't be reproduced or transmitted to any people without written authorization