

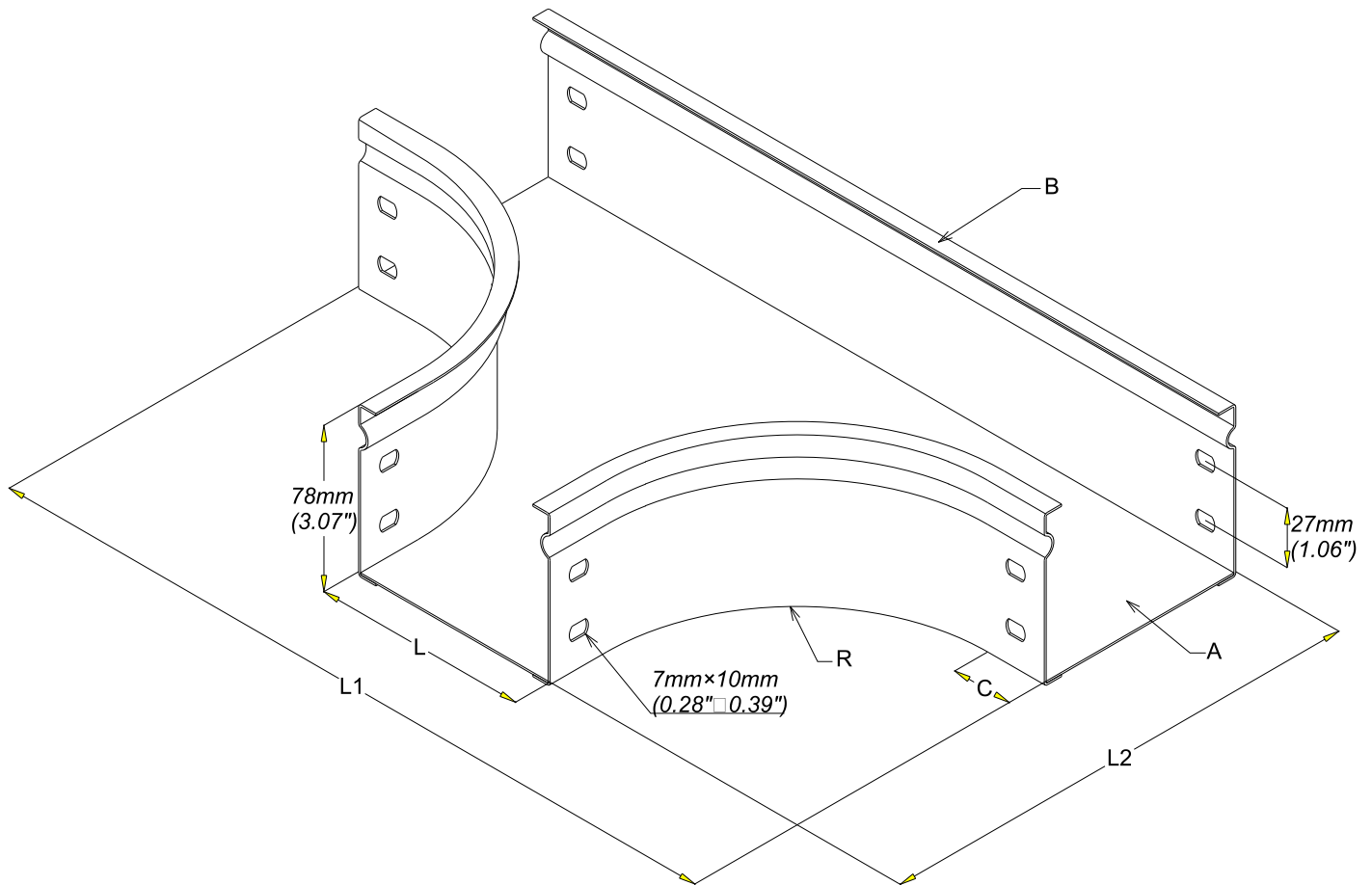
TE P31 T H75 75 à 500
T-piece P31 75x75 to 500

GS
PG

legrand CABLE
MANAGEMENT

FT0598-0

03 16



REF	CODE	L / L		A / A		B / B		C / C		R / R		L1 / L1		L2 / L2	
		(mm)	(inch)	(mm)	(inch)	(mm)	(inch)	(mm)	(inch)	(mm)	(inch)	(mm)	(inch)	(mm)	(inch)
P31 T 75x75	341 111	75	(2.92")	0.8	(0.032")	1	(0.039")	30	(1.18")	100	(3.94")	333	(13.11")	204	(8.03")
P31 T 75x100	341 112	100	(3.94")	0.8	(0.032")	1	(0.039")	30	(1.18")	100	(3.94")	358	(14.11")	229	(9.02")
P31 T 75x150	341 113	150	(5.91")	0.8	(0.032")	1	(0.039")	30	(1.18")	100	(3.94")	408	(16.08")	279	(10.99")
P31 T 75x200	341 114	200	(7.87")	0.8	(0.032")	1	(0.039")	30	(1.18")	100	(3.94")	458	(18.05")	329	(12.96")
P31 T 75x300	341 115	300	(11.81")	1	(0.039")	1	(0.039")	30	(1.18")	100	(3.94")	558	(21.99")	429	(16.90")
P31 T 75x400	341 116	400	(15.75")	1	(0.039")	1	(0.039")	50	(1.97")	150	(5.91")	798	(31.44")	599	(23.60")
P31 T 75x500	341 117	500	(19.69")	1	(0.039")	1	(0.039")	50	(1.97")	150	(5.91")	898	(35.38")	699	(27.54")

Material	Standard
DX 51 D Z 275	EN 10 346

Propriété exclusive de LEGRAND, ne peut être ni copié, ni transmis à des tiers sans autorisation écrite.

Exclusive property of LEGRAND shouldn't be reproduced or transmitted to any people without written authorization