

COUDE 90 P31 FB H75 75 à 400
Flat bend P31 75x75 to 400

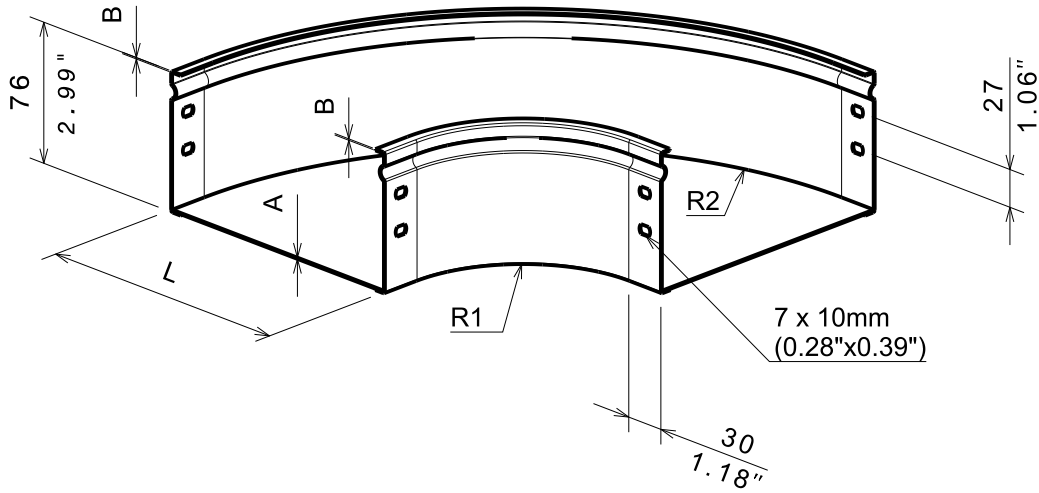
INOX 304L
SS304L

legrand | CABLE MANAGEMENT

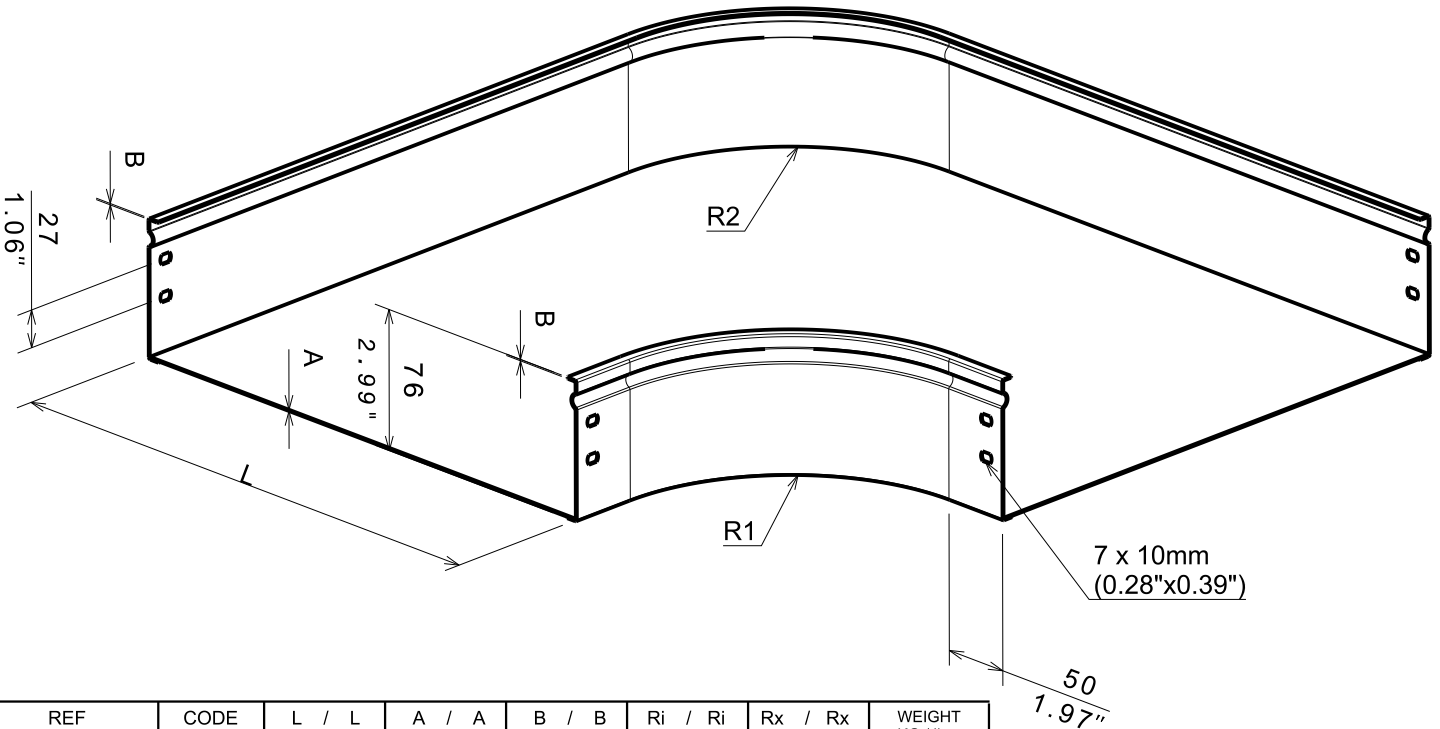
FT0596-8

10-16

P31 Flat Bend 90° H75 L75-300 mm



P31 Flat Bend 90° H75 L400-500 mm



REF	CODE	L / L		A / A		B / B		Ri / Ri		Rx / Rx		WEIGHT KG / lb
		(mm)	(inch)	(mm)	(inch)	(mm)	(inch)	(mm)	(inch)	(mm)	(inch)	
P31 FB 75x75	346 408	75	2.92"	0.8	0.032"	1	0.039"	100	3.94"	175	6.89"	0.420/0.285"
P31 FB 75x100	346 409	100	3.94"	0.8	0.032"	1	0.039"	100	3.94"	200	7.87"	0.490/0.329"
P31 FB 75x150	346 410	150	5.91"	0.8	0.032"	1	0.039"	100	3.94"	250	9.84"	0.620/0.416"
P31 FB 75x200	346 411	200	7.87"	0.8	0.032"	1	0.039"	100	3.94"	300	11.81"	0.800/0.540"
P31 FB 75x300	346 412	300	11.81"	1	0.039"	1	0.039"	100	3.94"	400	15.74"	1.150/0.773"
P31 FB 75x400	346 413	400	15.75"	1	0.039"	1	0.039"	150	5.91"	150	5.91"	1.760/1.183"

Material	Standard
X2 Cr Ni 18-9	EN 10 088-2

Propriété exclusive de LEGRAND, ne peut être ni copié, ni transmis à des tiers sans autorisation écrite.

Exclusive property of LEGRAND shouldn't be reproduced or transmitted to any people without written authorization