

**COUDE 90 P31 FB H75 75 à 600**  
**Flat bend P31 75x75 to 600**

GS  
PG

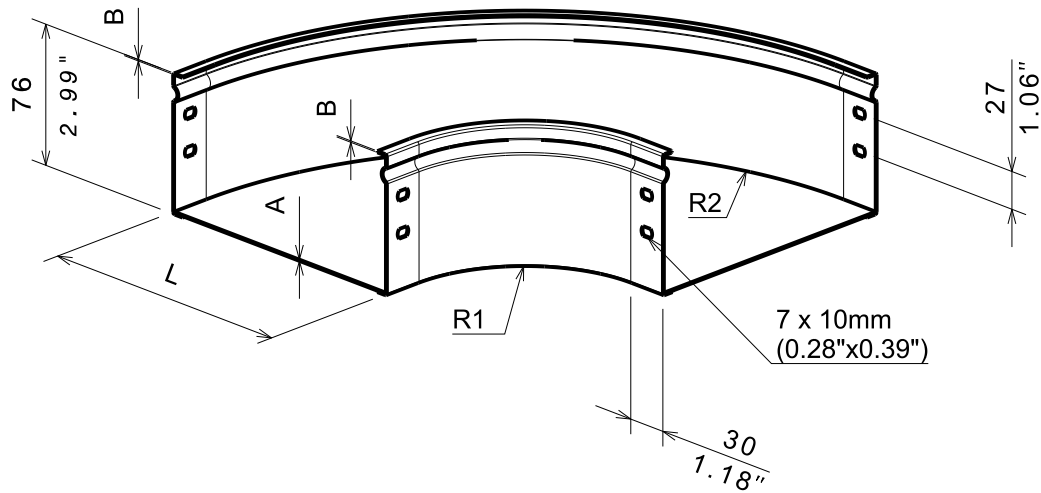


CABLE  
MANAGEMENT

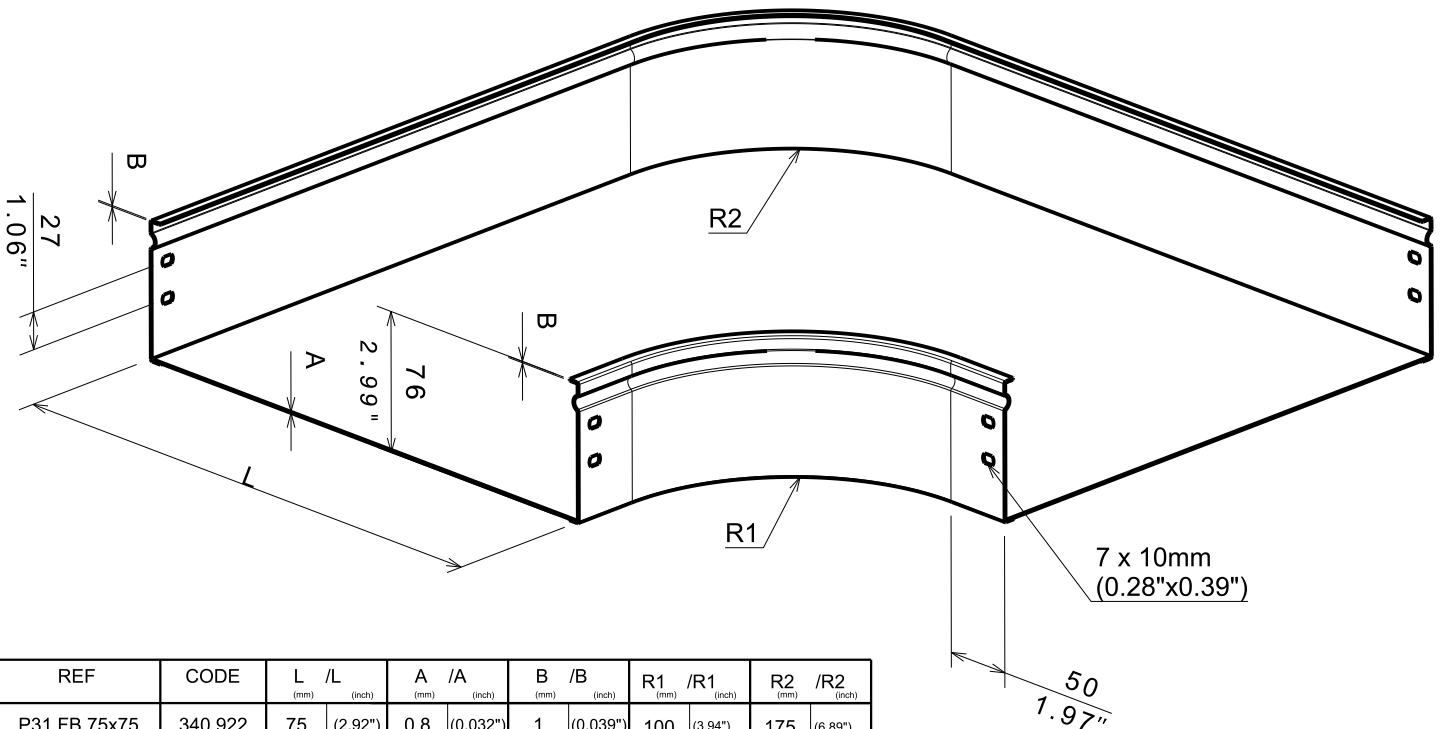
FT0596-0

10-16

P31 Flat Bend 90° H75 L= 75 to 300 mm



P31 Flat Bend 90° H75 L= 400 to 500 mm



REF	CODE	L /L	A /A	B /B	R1 /R1	R2 /R2
		(mm) (inch)	(mm) (inch)	(mm) (inch)	(mm) (inch)	(mm) (inch)
P31 FB 75x75	340 922	75 (2.92")	0.8 (0.032")	1 (0.039")	100 (3.94")	175 (6.89")
P31 FB 75x100	340 923	100 (3.94")	0.8 (0.032")	1 (0.039")	100 (3.94")	200 (7.87")
P31 FB 75x150	340 924	150 (5.91")	0.8 (0.032")	1 (0.039")	100 (3.94")	250 (9.84")
P31 FB 75x200	340 925	200 (5.91")	0.8 (0.032")	1 (0.039")	100 (3.94")	300 (11.81")
P31 FB 75x300	340 926	300 (7.87")	1 (0.039")	1 (0.039")	100 (3.94")	400 (15.74")
P31 FB 75x400	340 927	400 (11.81")	1 (0.039")	1 (0.039")	150 (5.91")	150 (5.91")
P31 FB 75x500	340 928	500 (19.69")	1 (0.039")	1 (0.039")	150 (5.91")	150 (5.91")
P31 FB 75x600	340 929	600 (23.62")	1 (0.039")	1 (0.039")	150 (5.91")	150 (5.91")

Material	Standard
DX 51 D Z 200 MAC	EN 10 346