

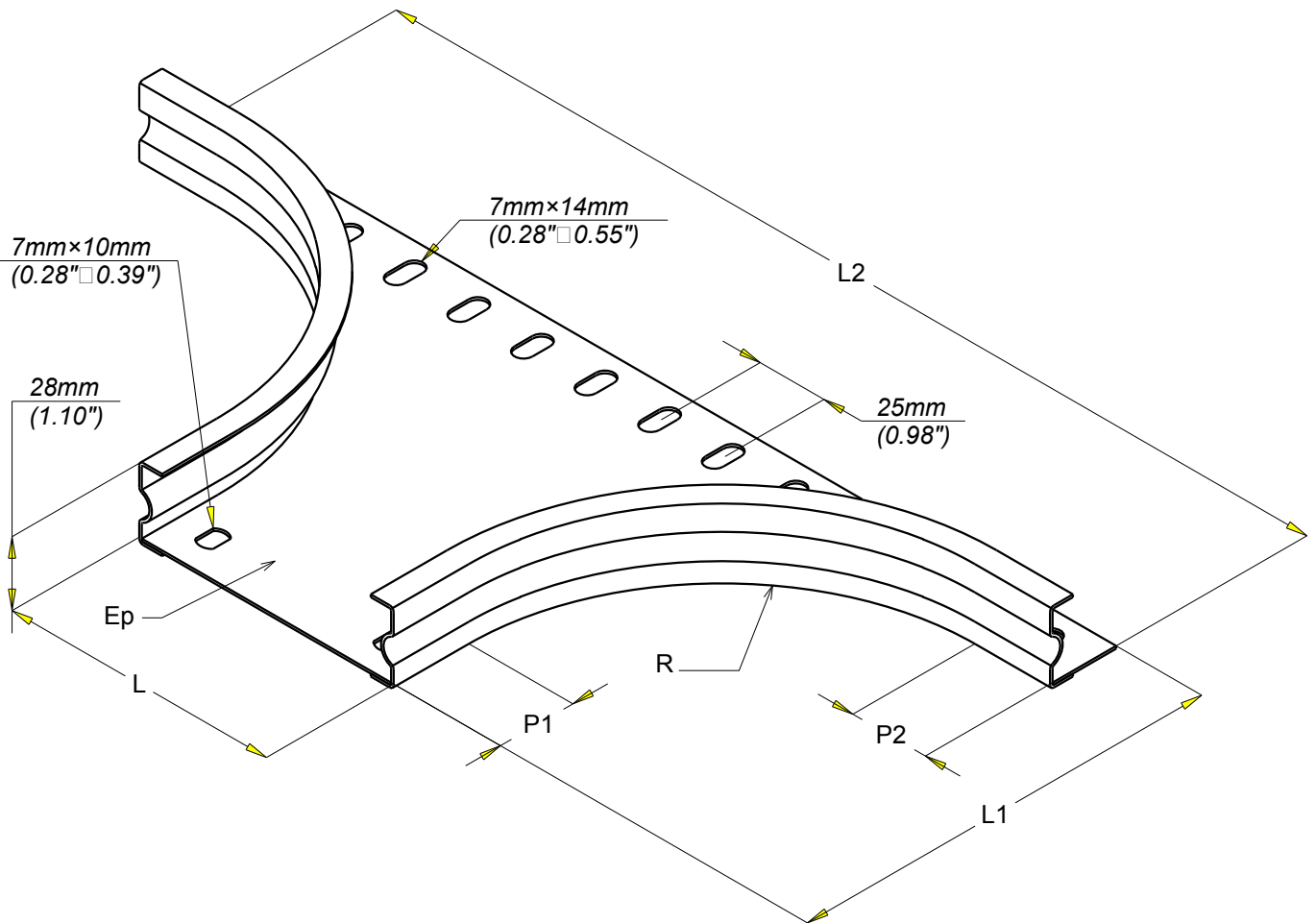
DERIVATION P31 B H25 50 à 500  
Branch piece P31 25x50 to 500

GS  
PG

**legrand** CABLE  
MANAGEMENT

FT0591-0

11 13



REF	CODE	L /L		Ep /Th		P1 /P1		P2 /P2		R /R		L1 /L1		L2 /L2	
		(mm)	(inch)	(mm)	(inch)	(mm)	(inch)	(mm)	(inch)	(mm)	(inch)	(mm)	(inch)	(mm)	(inch)
P31 B 25x50	340 105	50	(1.97")	0.8	0.032"	31	(1.22")	31.25	(1.23")	20	(1.78")	76	(2.99")	149.5	(5.89")
P31 B 25x75	340 108	77	(3.03")	0.8	0.032"	30	(1.18")	30	(1.18")	99	(3.90")	155	(6.10")	334.5	(13.17")
P31 B 25x100	340 109	100	(3.94")	0.8	0.032"	30	(1.18")	30	(1.18")	99	(3.90")	155	(6.10")	357.5	(14.07")
P31 B 25x150	340 118	150	(5.91")	0.8	0.032"	30	(1.18")	30	(1.18")	99	(3.90")	155	(6.10")	407.5	(16.04")
P31 B 25x200	340 119	200	(5.91")	0.8	0.032"	30	(1.18")	30	(1.18")	99	(3.90")	155	(6.10")	457.5	(18.01")
P31 B 25x300	340 126	300	(7.87")	1	0.039"	30	(1.18")	30	(1.18")	99	(3.90")	155	(6.10")	557.5	(21.95")
P31 B 25x400	340 127	400	(11.81")	1	0.039"	51	(2.01")	49	(1.93")	149	(5.87")	226	(8.90")	795.5	(31.32")
P31 B 25x500	340 128	500	(19.69")	1	0.039"	51	(2.01")	49	(1.93")	149	(5.87")	226	(8.90")	895.5	(35.26")

Material	Standard
DX 51 D Z 275 MAC	EN 10 346

Propriété exclusive de LEGRAND, ne peut être ni copié, ni transmis à des tiers sans autorisation écrite.

Exclusive property of LEGRAND shouldn't be reproduced or transmitted to any people

without written authorization