

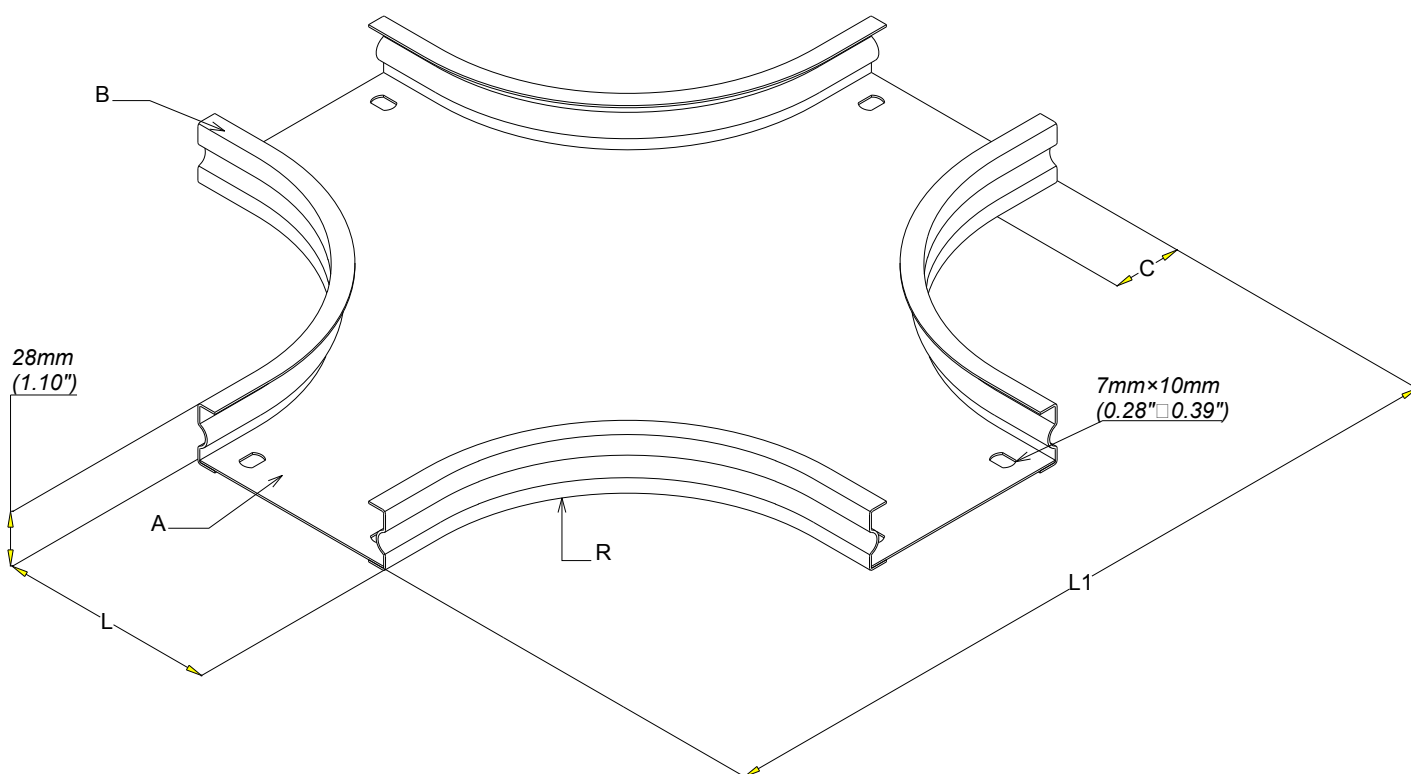
CROIX P31 X H25 50 à 500
Cross P31 25x50 to 500

GC
HDG

legrand | CABLE
MANAGEMENT

FT0590-3

11 13



REF	CODE	L /L (mm) (inch)	A /A (mm) (inch)	B /B (mm) (inch)	C /C (mm) (inch)	R /R (mm) (inch)	L1 /L1 (mm) (inch)
P31 X 25x50	343 125	50 (1.97")	0.8 (0.032")	1 (0.039")	30 (1.18")	20 (0.78")	148 (5.83")
P31 X 25x75	343 126	75 (2.92")	0.8 (0.032")	1 (0.039")	30 (1.18")	100 (3.94")	333 (13.11")
P31 X 25x100	343 127	100 (3.94")	0.8 (0.032")	1 (0.039")	30 (1.18")	100 (3.94")	358 (14.11")
P31 X 25x150	343 128	150 (5.91")	0.8 (0.032")	1 (0.039")	30 (1.18")	100 (3.94")	408 (16.05")
P31 X 25x200	343 129	200 (7.87")	0.8 (0.032")	1 (0.039")	30 (1.18")	100 (3.94")	458 (18.05")
P31 X 25x300	343 130	300 (11.81")	1 (0.039")	1 (0.039")	30 (1.18")	100 (3.94")	558 (21.99")
P31 X 25x400	343 131	400 (15.75")	1 (0.039")	1 (0.039")	50 (1.97")	150 (5.91")	798 (31.44")
P31 X 25x500	343 132	500 (19.69")	1 (0.039")	1 (0.039")	50 (1.97")	150 (5.91")	898 (35.38")

NORMES/STANDARD

MATIERE / MATERIAL
S 235 JR

EN 10 025

PROTECTION / COATING
GC / HDG

EN ISO 1461

Propriété exclusive de LEGRAND, ne peut être ni copié, ni transmis à des tiers sans autorisation écrite.

Exclusive property of LEGRAND shouldn't be reproduced or transmitted to any people

without written authorization