

FERMT GOUL P31 SE H75 75 à 600  
END CAP P31 75x75 to 600

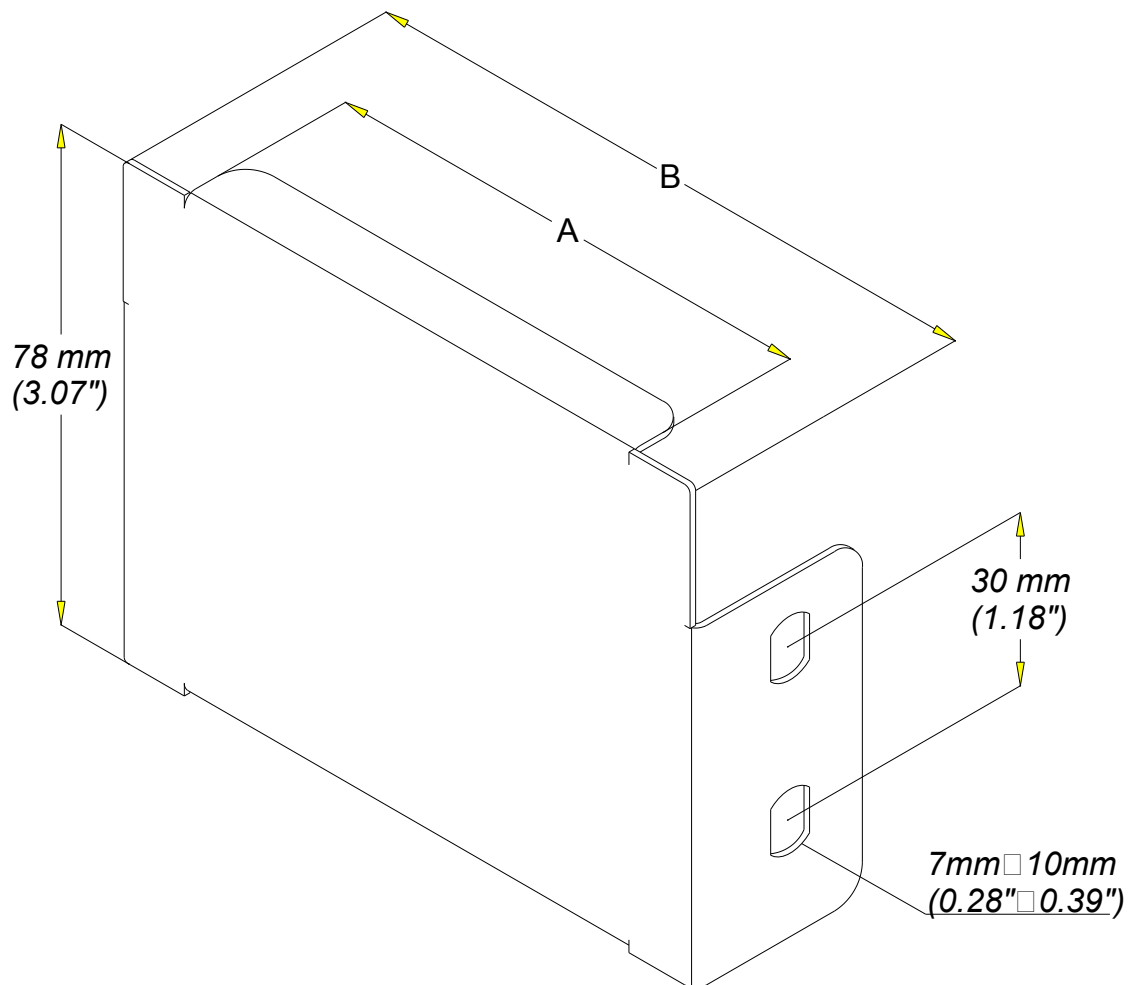
GC  
HDG



CABLE  
MANAGEMENT

FT0585-4

07 17



REF.	CODE	POIDS/WEIGHT		A		B		EP./TH.		NORMES/STANDARD
		kg	lb	mm	inch.	mm	inch.	mm	inch.	
P31 SE 75x75	343 593	0.085	0.187	77	3.03"	55	2.16"	1	0.039"	EN 10 025-2
P31 SE 75x100	343 594	0.100	0.220	102	4.02"	80	3.15"			
P31 SE 75x150	343 595	0.135	0.297	152	5.98"	130	5.12"			
P31 SE 75x200	343 596	0.175	0.385	202	7.95"	180	7.09"			
P31 SE 75x300	343 597	0.250	0.550	302	11.89"	280	11.02"			
P31 SE 75x400	343 598	0.325	0.715	402	15.83"	380	14.96"			
P31 SE 75x500	343 599	0.430	0.946	502	19.76"	480	18.90"			
P31 SE 75x600	343 600	0.567	1.248	602	23.70"	580	22.83"			
										MATIERE / MATIERAL S 235 JR
										PROTECTION / COATING GC / HDG
										Class 6 according to CEI 61537