

FERMT GOUL P31 SE H100 100 à 600
 END CAP P31 100x100 to 600

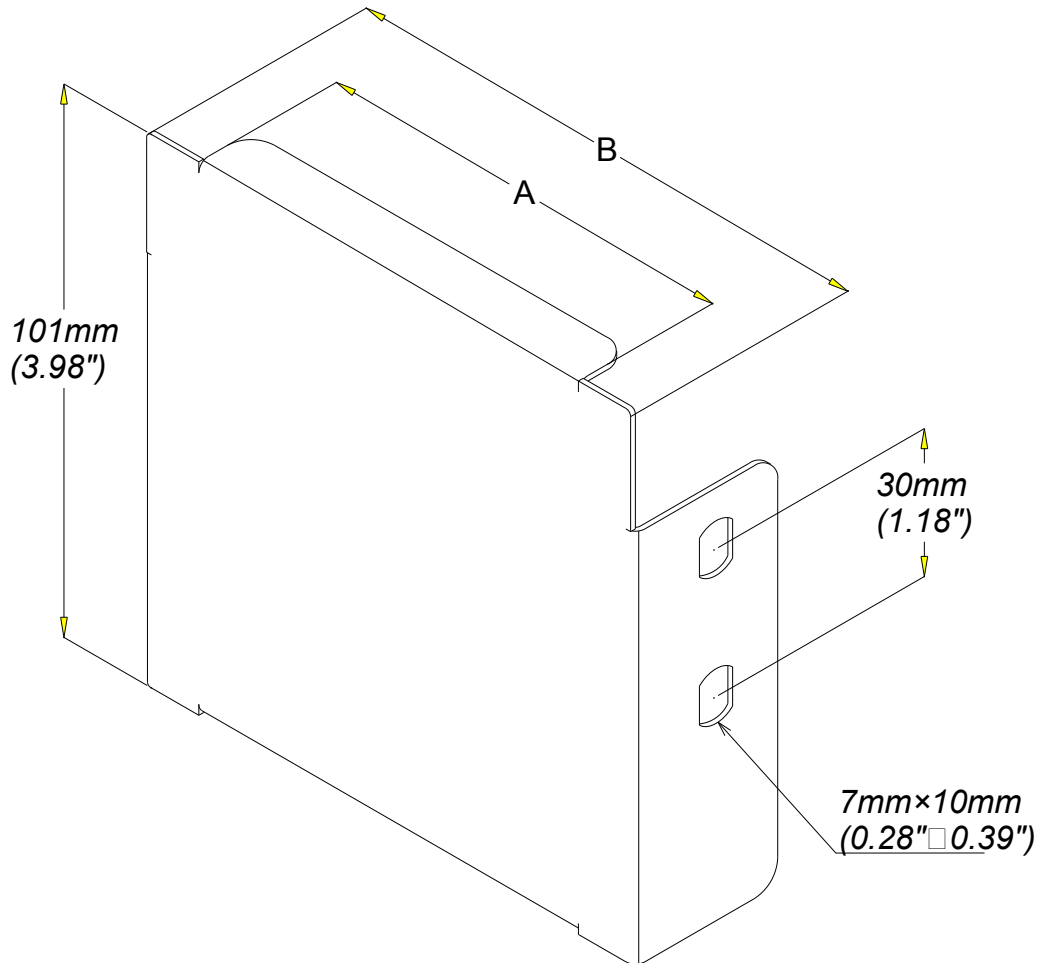
GS
 PG



CABLE
 MANAGEMENT

FT0584-1

07 17



REF.	CODE	POIDS/WEIGHT		A		B		EP./TH.	
		kg	lb	mm	inch.	mm	inch.	mm	inch.
P31 SE 100x100	341 659	0.135	0.297	102	4.02"	80	3.15"	1	0.039"
P31 SE 100x150	341 660	0.190	0.418	152	5.98"	130	5.12"		
P31 SE 100x200	341 661	0.235	0.517	202	7.95"	180	7.09"		
P31 SE 100x300	341 662	0.340	0.748	302	11.89"	280	11.02"		
P31 SE 100x400	341 663	0.440	0.968	402	15.83"	380	14.96"		
P31 SE 100x500	341 664	0.535	1.177	502	19.76"	480	18.90"		
P31 SE 100x600	340 737	0.645	1.423	602	23.70"	580	22.83"		

Material	Standard
DX 51 D Z 200 MAC	EN 10 346