

FERMT GOUL P31 SE H100 100 à 600
 END CAP P31 100x100 to 600

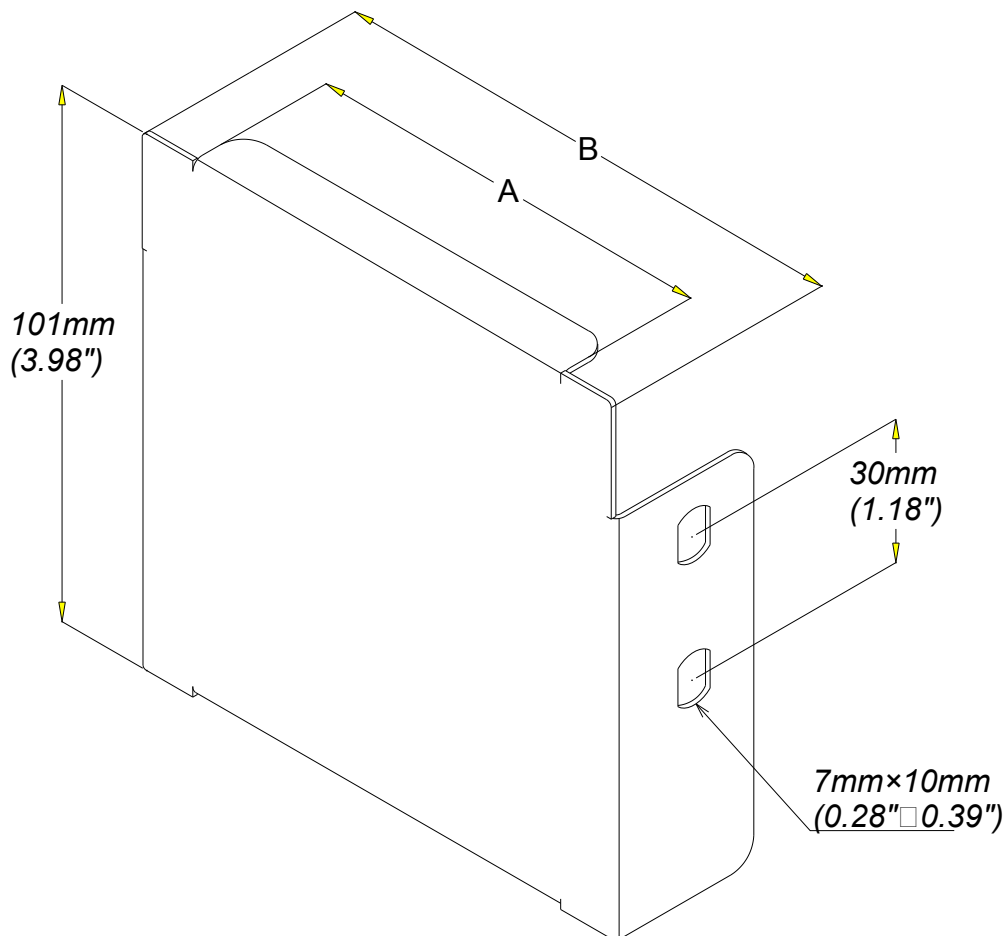
GC
 HDG



CABLE
 MANAGEMENT

FT0584-4

07 17



REF.	CODE	POIDS/WEIGHT		A		B		EP./TH.	
		kg	lb	mm	inch.	mm	inch.	mm	inch.
P31 SE 100x100	343 659	0.135	0.297	102	4.02"	80	3.15"	1	0.039"
P31 SE 100x150	343 660	0.190	0.418	152	5.98"	130	5.12"		
P31 SE 100x200	343 661	0.235	0.517	202	7.95"	180	7.09"		
P31 SE 100x300	343 662	0.340	0.748	302	11.89"	280	11.02"		
P31 SE 100x400	343 663	0.440	0.968	402	15.83"	380	14.96"		
P31 SE 100x500	343 664	0.535	1.177	502	19.76"	480	18.90"		
P31 SE 100x600	342 737	0.645	1.423	602	23.70"	580	22.83"		

NORMES/STANDARD	
MATIERE / MATIERAL S 235 JR	EN 10 025
PROTECTION / COATING GC / HDG	EN ISO 1461