

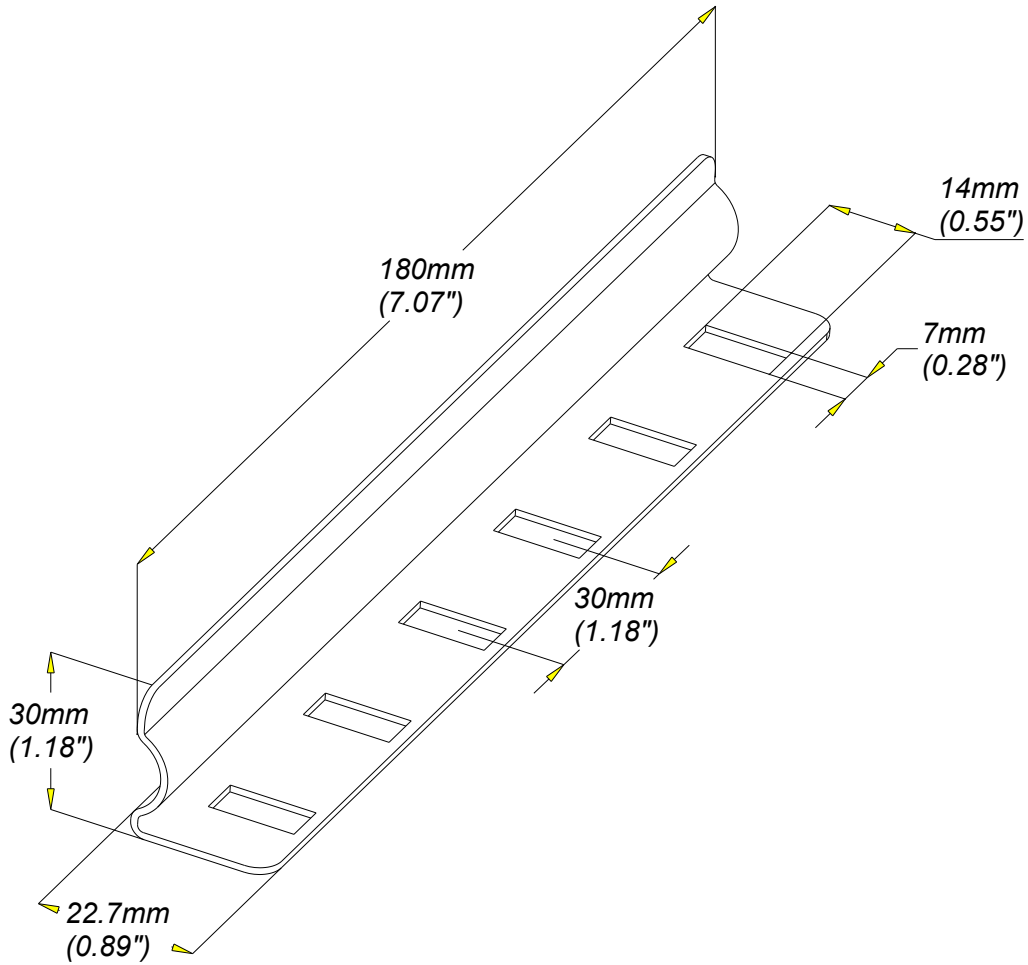
**ECLISSE P31 EC25  
COUPLER P31 EC H25**

**GC  
HDG**

**legrand** | CABLE  
MANAGEMENT

**FT0581-3**

**11 13**



NORMES/STANDARD

REF	CODE	POIDS / WEIGHT <small>(kg) (lb)</small>		EPAISSEUR/THICKNESS		MATIERE / MATERIAL S 235 JR	EN 10 025
P31 EC 25	343 212	0.150	0.330	1.15	(0.045")	PROTECTION / COATING GC / HDG	EN ISO 1461