

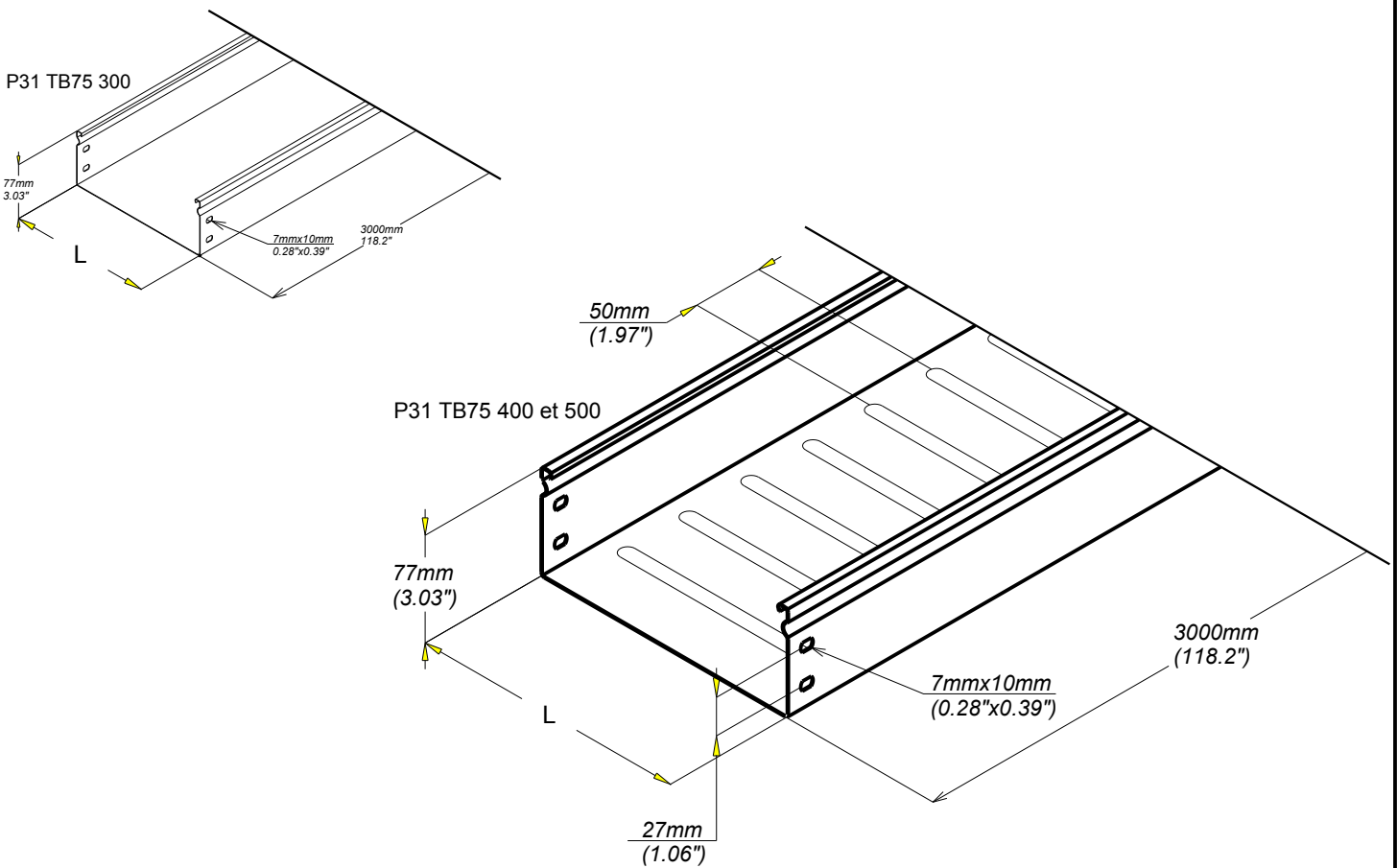
GOULOTTE P31 TB75 300
Tray P31 blind 75x300

EPO
RAL



FT0573-6

07 17



							NORMES/STANDARD		
REF	CODE	POIDS /WEIGHT (Kg/m) (lb/ft)		L / L (mm) (inch)		MATIERE / MATIERAL DX 51 D Z 275 MAC		EN 10 346	
P31 TB 75x300	344 029	4.480	2.970	300	11.811"	1.15	0.045"	EN ISO 2409	
							PROTECTION / COATING		
							80µm +/- 20µm, both side		