

DALLE P31 TP 100x300 à 600  
Tray P31 perf 100x300 to 600

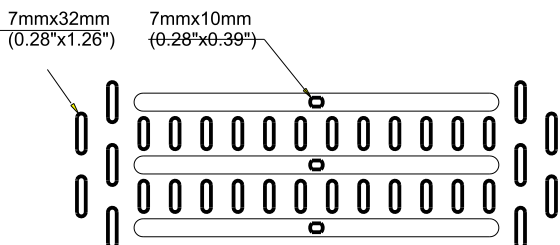
GS  
PG



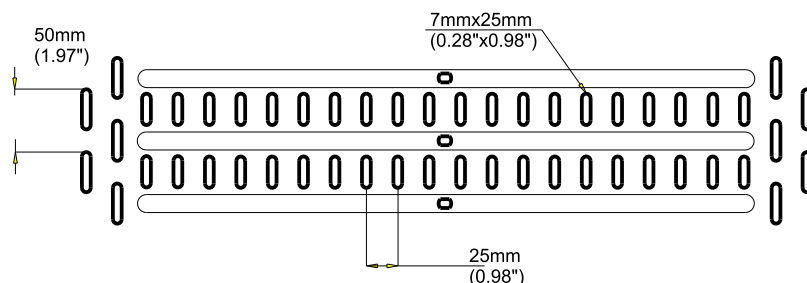
FT0566-1

11 13

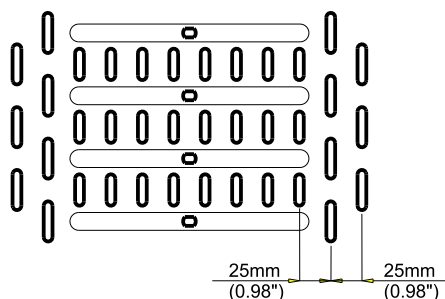
P31 TP 100x400



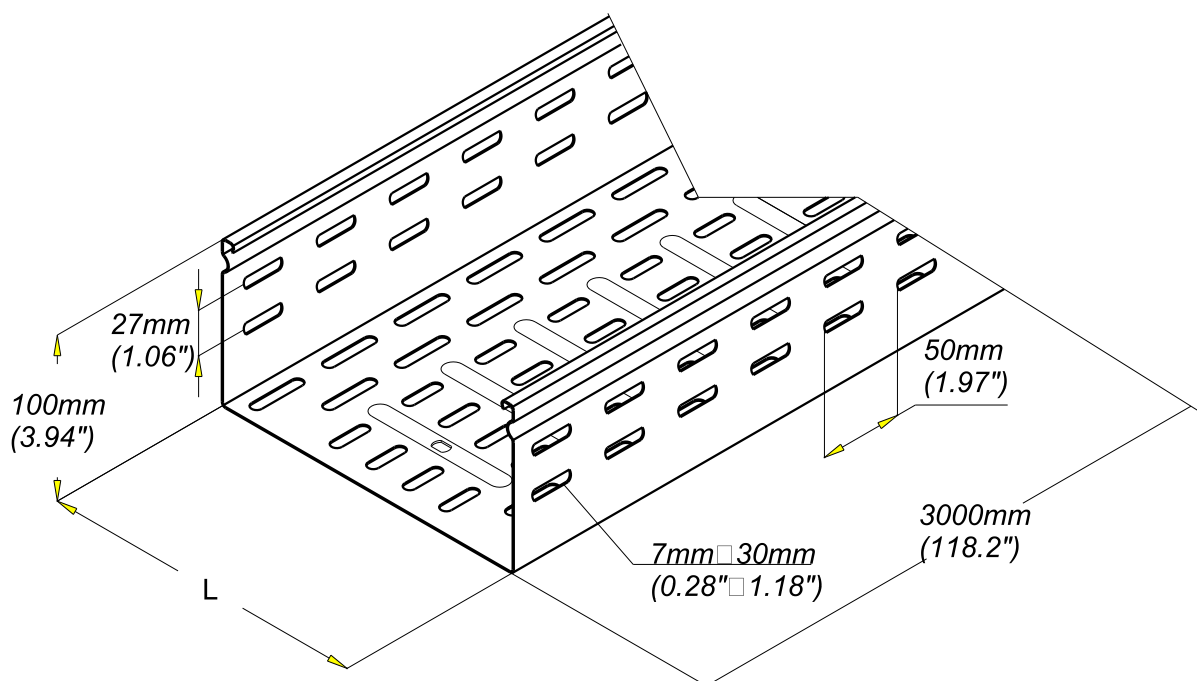
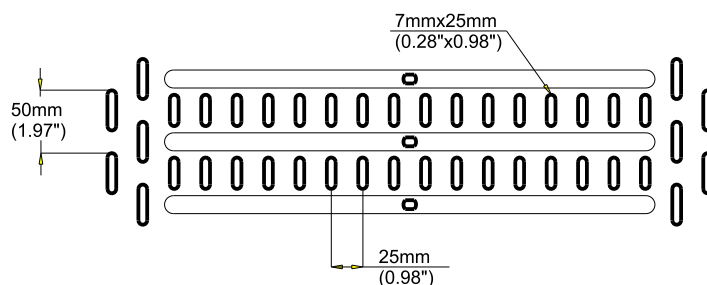
P31 TP 100x600



P31 TP 100x300



P31 TP 100x500



REF	CODE	POIDS /WEIGHT (Kg/m) (lb/ft)		L / L (mm) (inch)		EP. / TH. (mm) (inch)	
P31TP100x300	340 071	4.360	2.891	300	(11.811")	1.15	(0.045")
P31TP100x400	340 072	5.150	3.414	400	(15.748")		
P31TP100x500	340 073	5.940	3.938	500	(19.685")		
P31TP100x600	340 106	6.73	4.462	600	(23.622")		

Material	Standard
DX 51 D Z 275 MAC	EN 10 346