

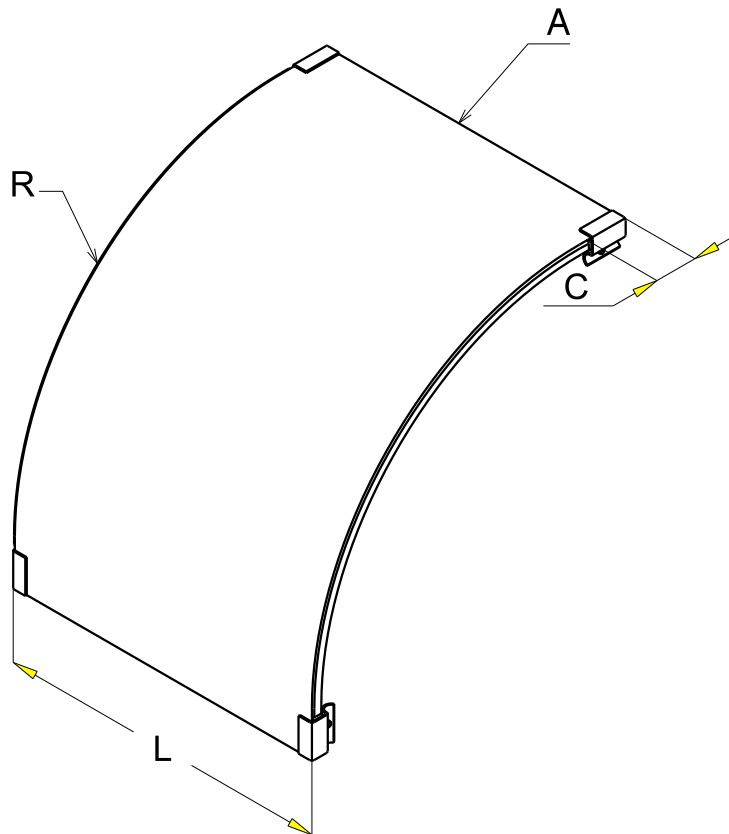
COUV CPL CONV P31 COR 50 à 600  
COVER FOR OUTS. RISER 50 to 600

GS  
PG

**legrand** | CABLE  
MANAGEMENT

FT0543-0

12 16



REF	HAUTEUR	CODE	L /L (mm) (inch)	A /A (mm) (inch)	C /C (mm) (inch)	R /R (mm) (inch)
P31 COR 50	25 à 75	340 798	50 (1.97")	0.8 (0.032")	30 (1.18")	70 (2.76")
P31 COR 75		340 799	75 (2.95")	0.8 (0.032")	30 (1.18")	178 (7.03")
P31 COR 100		340 808	100 (3.94")	0.8 (0.032")	30 (1.18")	178 (7.03")
P31 COR 150		340 809	150 (5.91")	0.8 (0.032")	30 (1.18")	178 (7.03")
P31 COR 200		340 818	200 (7.87")	0.8 (0.032")	30 (1.18")	178 (7.03")
P31 COR 300		340 819	300 (11.81")	1 (0.039")	30 (1.18")	178 (7.03")
P31 COR 100	100	340 181	100 (3.94")	0.8 (0.032")	30 (1.18")	178 (7.03")
P31 COR 150		340 182	150 (5.91")	0.8 (0.032")	30 (1.18")	178 (7.03")
P31 COR 200		340 825	200 (7.87")	0.8 (0.032")	30 (1.18")	178 (7.03")
P31 COR 300		340 826	300 (11.81")	1 (0.039")	30 (1.18")	178 (7.03")
P31 COR 400	25 à 100	340 827	400 (15.75")	1 (0.039")	50 (1.97")	251 (9.89")
P31 COR 500		340 828	500 (19.69")	1 (0.039")	50 (1.97")	251 (9.89")
P31 COR 600	50 à 100	340 829	600 (23.62")	1 (0.039")	50 (1.97")	251 (9.89")

Material	Standard
DX 51 D Z 200 MAC	EN 10 346

Propriété exclusive de LEGRAND, ne peut être ni copié, ni transmis à des tiers sans autorisation écrite.

Exclusive property of LEGRAND shouldn't be reproduced or transmitted to any people without written authorization