

COUV CPL CONC P31 CIR 50 à 500  
Cover for inside riser P31 50 to 500

GS  
PG

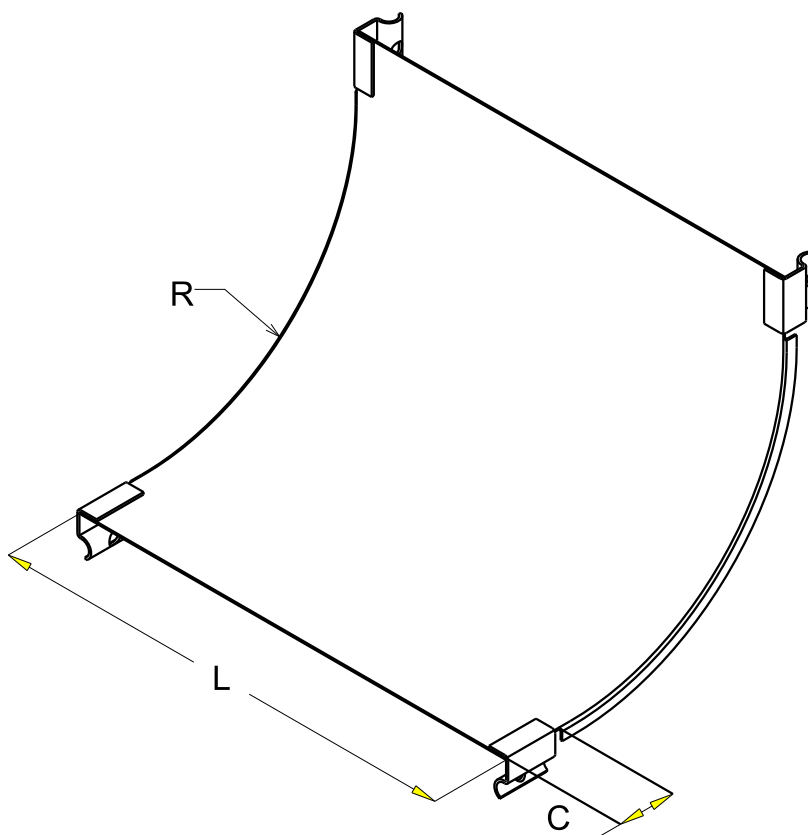
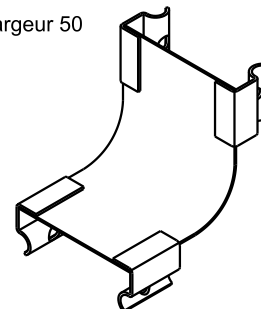


CABLE  
MANAGEMENT

FT0542-0

11 13

Largeur 50



REF	HAUTEUR	CODE	L /L (mm) (inch)	A /A (mm) (inch)	C /C (mm) (inch)	R /R (mm) (inch)
P31 CIR 50	25 à 75	340 888	50 (1.97")	0.8 (0.032")	30 (1.18")	20 (0.79")
P31 CIR 75		340 889	75 (2.95")	0.8 (0.032")	30 (1.18")	100 (3.94")
P31 CIR 100		340 890	100 (3.94")	0.8 (0.032")	30 (1.18")	100 (3.94")
P31 CIR 150		340 891	150 (5.91")	0.8 (0.032")	30 (1.18")	100 (3.94")
P31 CIR 200		340 892	200 (7.87")	0.8 (0.032")	30 (1.18")	100 (3.94")
P31 CIR 300		340 893	300 (11.81")	1 (0.039")	30 (1.18")	100 (3.94")
P31 CIR 100	100	341 175	100 (3.94")	0.8 (0.032")	30 (1.18")	100 (3.94")
P31 CIR 150		341 176	150 (5.91")	0.8 (0.032")	30 (1.18")	100 (3.94")
P31 CIR 200		340 894	200 (7.87")	0.8 (0.032")	30 (1.18")	100 (3.94")
P31 CIR 300		340 895	300 (11.81")	1 (0.039")	30 (1.18")	100 (3.94")
P31 CIR 400	25 à 100	340 896	400 (15.75")	1 (0.039")	50 (1.97")	150 (5.91")
P31 CIR 500		340 897	500 (19.69")	1 (0.039")	50 (1.97")	150 (5.91")

Material	Standard
DX 51 D Z 275 MAC	EN 10 346