

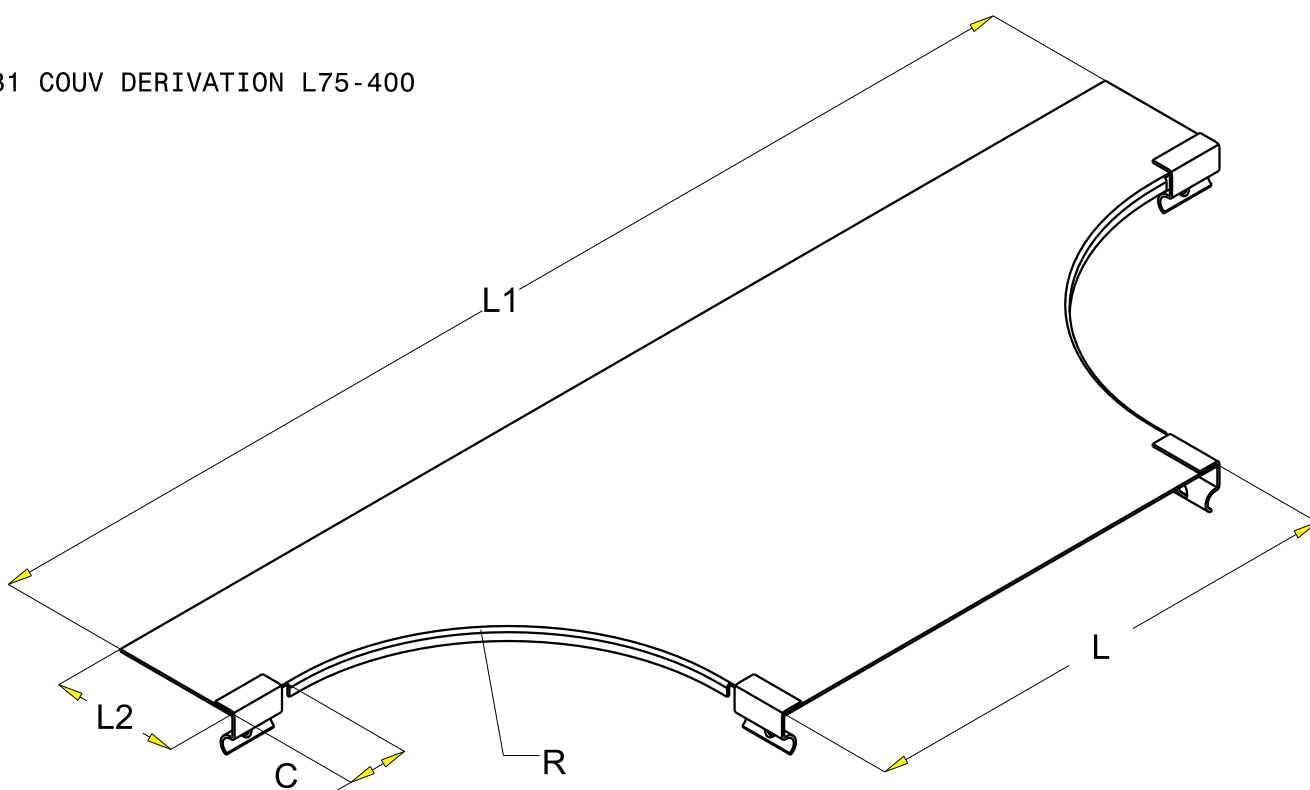
COUV DERIVATION P31 CB 75 à 400 INOX 304L
Cover for branch P31 75 to 400 SS304L



FT0541-8

04-16

P31 COUV DERIVATION L75-400



REF	CODE	L / L	EP / TH	L1 / L1	L2 / L2	C / C	R / R	Weight
		(mm) / (inch)	(mm) / (inch)	(mm) / (inch)	(mm) / (inch)	(mm) / (inch)	(mm) / (inch)	kg / lb
P31 CB 75	346 288	75 / 2.92"	0.8 / 0.032"	333 / 13.11"	45 / 1.77"	30 / 1.18"	100 / 3.94"	0.170/0.114"
P31 CB 100	346 289	100 / 3.94"	0.8 / 0.032"	358 / 14.11"	45 / 1.77"	30 / 1.18"	100 / 3.94"	0.245/0.164"
P31 CB 150	346 290	150 / 5.91"	0.8 / 0.032"	408 / 16.08"	45 / 1.77"	30 / 1.18"	100 / 3.94"	0.300/0.201"
P31 CB 200	346 291	200 / 7.87"	0.8 / 0.032"	458 / 18.05"	45 / 1.77"	30 / 1.18"	100 / 3.94"	0.350/0.235"
P31 CB 300	346 292	300 / 11.81"	1 / 0.039"	558 / 21.99"	45 / 1.77"	30 / 1.18"	100 / 3.94"	0.470/0.315"
P31 CB 400	346 293	400 / 15.75"	1 / 0.039"	798 / 31.44"	45 / 1.77"	50 / 1.97"	100 / 3.94"	0.650/0.437"

Material	Standard
X2 Cr Ni 18-9	EN 10 088-2