

COUV TE P31 T50 50 à 500
Cover for Tee P31 W50x50 to 500

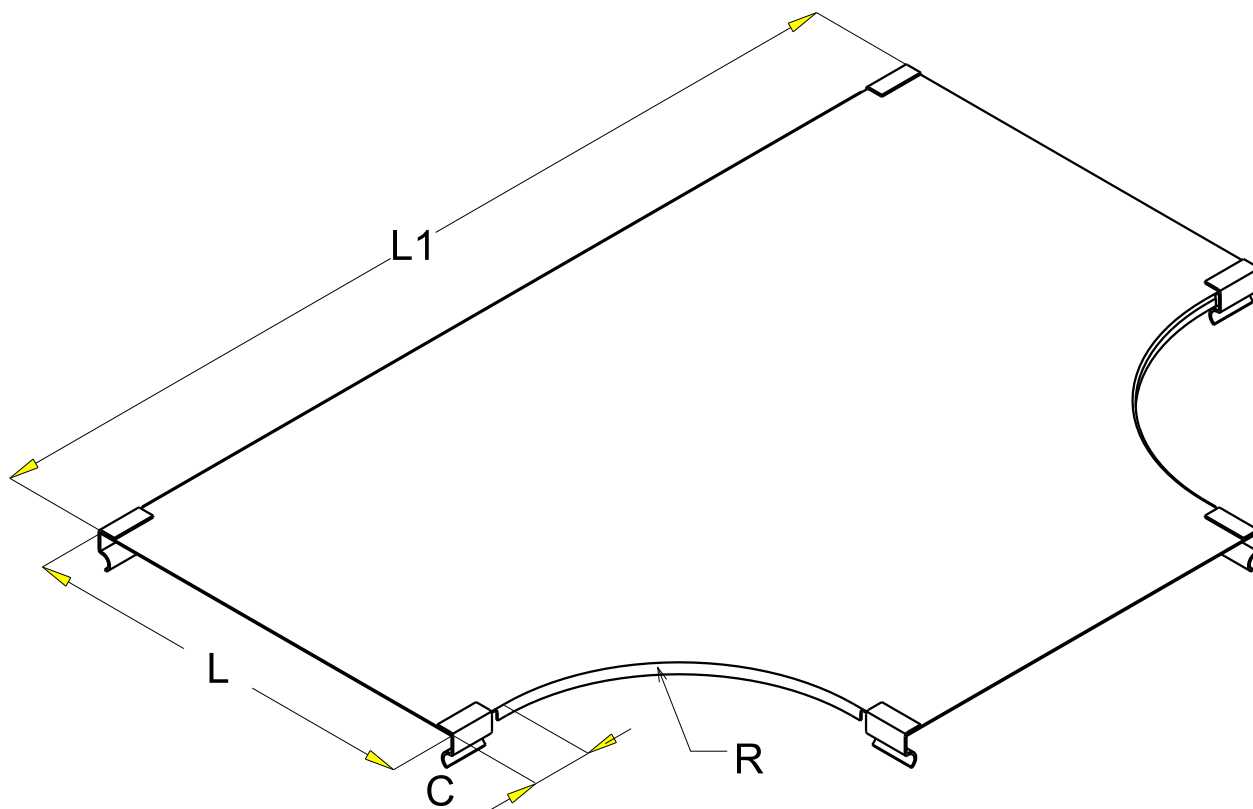
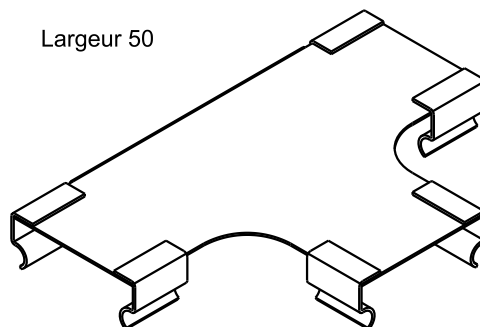
GS
PG

legrand | CABLE
MANAGEMENT

FT0539-0

11 13

Largeur 50



REF	CODE	L /L		EP /TH		L1 /L1		C /C		R /R	
		(mm)	(inch)	(mm)	(inch)	(mm)	(inch)	(mm)	(inch)	(mm)	(inch)
P31 CT 50	340 879	50	(1.97")	0.8	(0.032")	148	(5.83")	30	(1.18")	20	(1.78")
P31 CT 75	340 880	75	(2.92")	0.8	(0.032")	333	(13.11")	30	(1.18")	96.6	(3.80")
P31 CT 100	340 881	100	(3.94")	0.8	(0.032")	358	(14.11")	30	(1.18")	96.6	(3.80")
P31 CT 150	340 882	150	(5.91")	0.8	(0.032")	408	(16.08")	30	(1.18")	96.6	(3.80")
P31 CT 200	340 883	200	(5.91")	0.8	(0.032")	458	(18.05")	30	(1.18")	96.6	(3.80")
P31 CT 300	340 884	300	(7.87")	1	(0.039")	558	(21.99")	30	(1.18")	96.6	(3.80")
P31 CT 400	340 885	400	(11.81")	1	(0.039")	798	(31.44")	50	(1.97")	146.6	(5.77")
P31 CT 500	340 886	500	(19.69")	1	(0.039")	898	(35.38")	50	(1.97")	146.6	(5.77")

Material	Standard
DX 51 D Z 275 MAC	EN 10 346

Propriété exclusive de LEGRAND, ne peut être ni copié, ni transmis à des tiers sans autorisation écrite.

Exclusive property of LEGRAND shouldn't be reproduced or transmitted to any people

without written authorization