

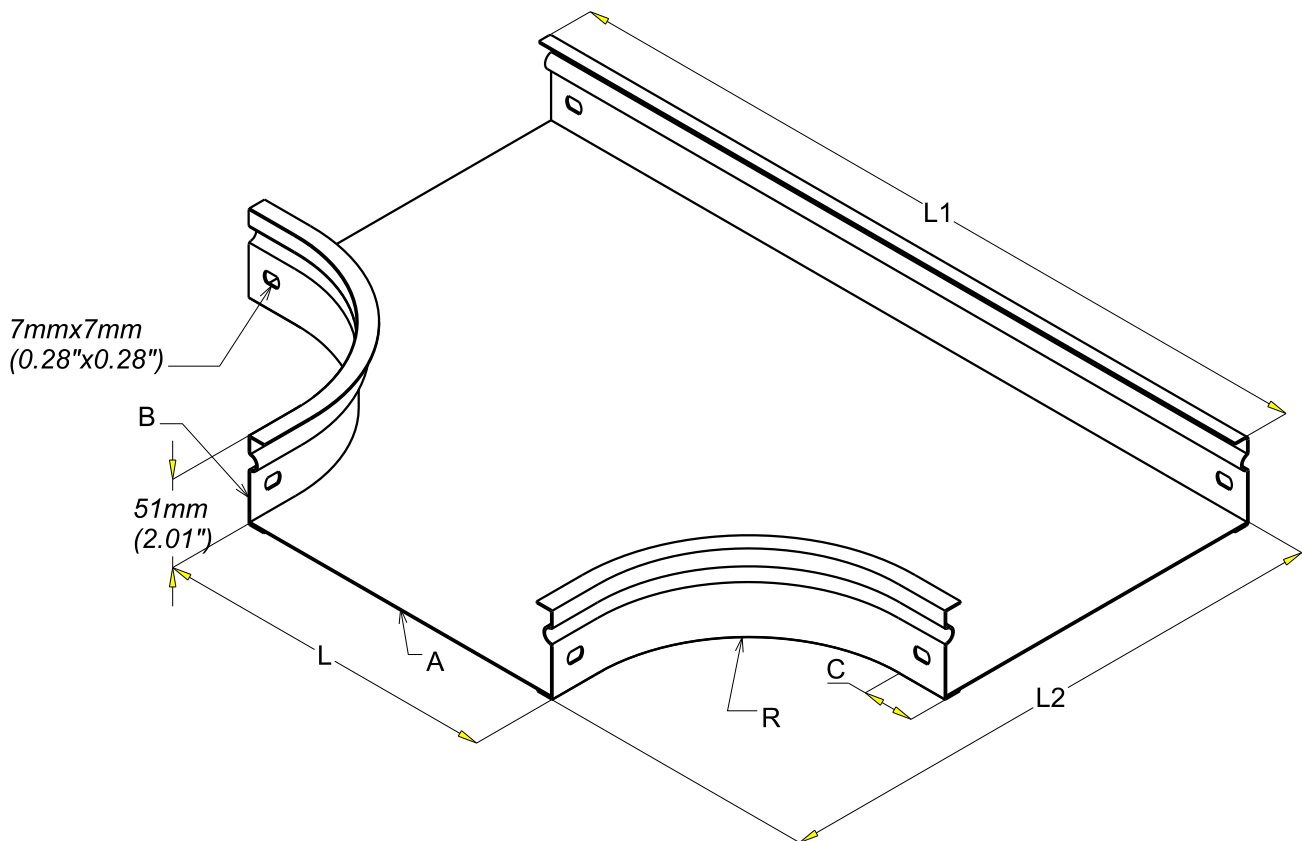
TE P31 RM H50 50 à 600
T-PIECE P31 50x50 to 600

GS
PG

legrand | CABLE
MANAGEMENT

FT0528-0

10 16



REF	CODE	L /L	A /A	B /B	C /C	R /R	L1 /L1	L2 /L2
		(mm) (inch)	(mm) (inch)	(mm) (inch)	(mm) (inch)	(mm) (inch)	(mm) (inch)	(mm) (inch)
P31 T 50x50	341 103	50 (1.97")	0.8 (0.032")	1 (0.039")	30 (1.18")	20 (1.78")	148 (5.83")	99 (3.90")
P31 T 50x75	340 899	75 (2.92")	0.8 (0.032")	1 (0.039")	30 (1.18")	100 (3.94")	333 (13.11")	204 (8.03")
P31 T 50x100	341 104	100 (3.94")	0.8 (0.032")	1 (0.039")	30 (1.18")	100 (3.94")	358 (14.11")	229 (9.02")
P31 T 50x150	341 105	150 (5.91")	0.8 (0.032")	1 (0.039")	30 (1.18")	100 (3.94")	408 (16.08")	279 (10.99")
P31 T 50x200	341 106	200 (7.87")	0.8 (0.032")	1 (0.039")	30 (1.18")	100 (3.94")	458 (18.05")	329 (12.96")
P31 T 50x300	341 107	300 (11.81")	1 (0.039")	1 (0.039")	30 (1.18")	100 (3.94")	558 (21.99")	429 (16.90")
P31 T 50x400	341 108	400 (15.75")	1 (0.039")	1 (0.039")	50 (1.97")	150 (5.91")	798 (31.44")	599 (23.60")
P31 T 50x500	341 109	500 (19.69")	1 (0.039")	1 (0.039")	50 (1.97")	150 (5.91")	898 (35.38")	699 (27.54")
P31 T 50x600	341 110	600 (23.62")	1 (0.039")	1 (0.039")	50 (1.97")	150 (5.91")	998 (39.29")	799 (31.46")

Material	Standard
DX 51 D Z 200 MAC	EN 10 346

Propriété exclusive de LEGRAND, ne peut être ni copié, ni transmis à des tiers sans autorisation écrite.

Exclusive property of LEGRAND shouldn't be reproduced or transmitted to any people without written authorization