

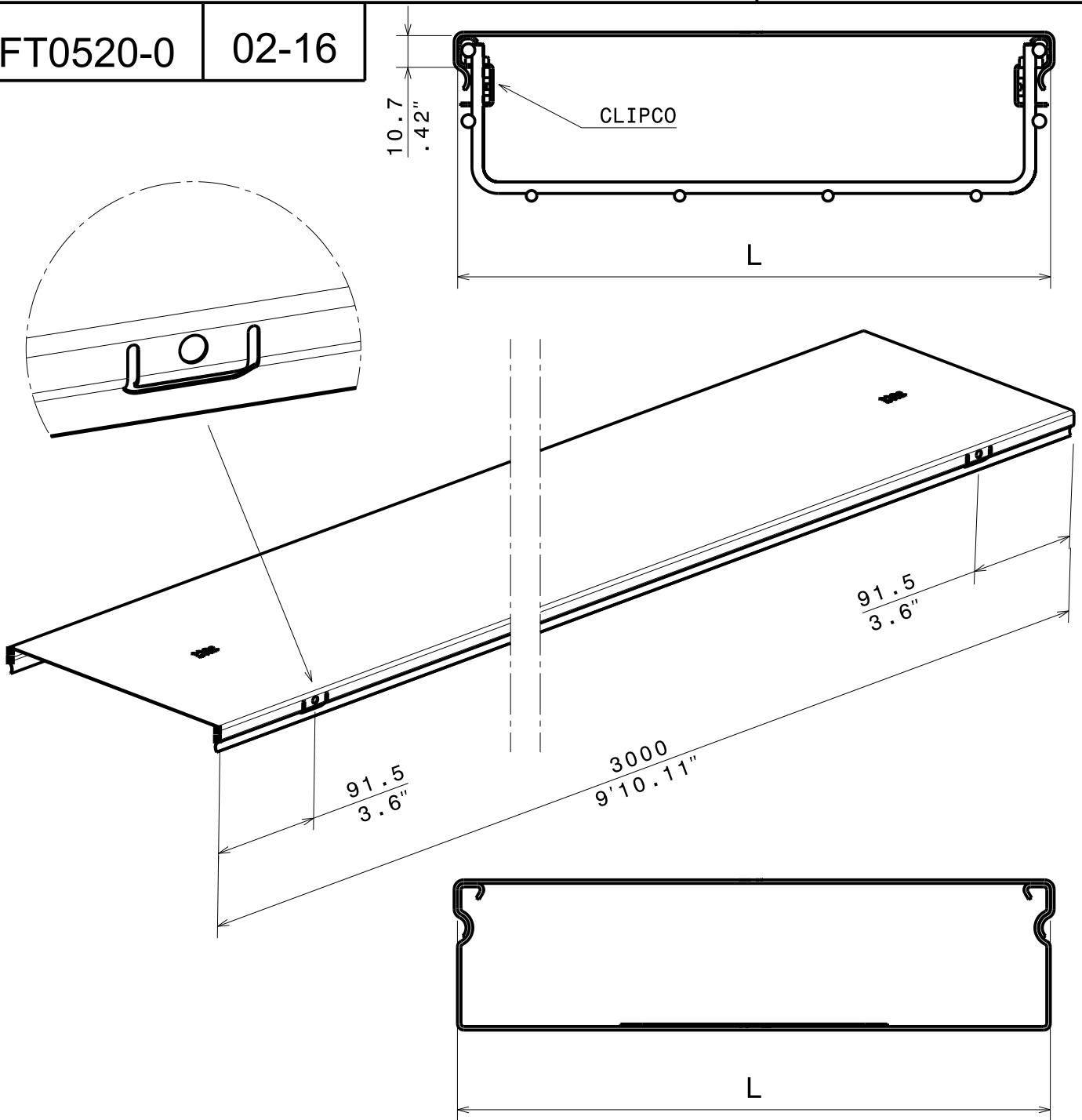
Couvercle P31 CO 50 à 300  
Cover for tray P31 L3m 50 to 300

GS  
PG

**legrand**® | CABLE  
MANAGEMENT

FT0520-0

02-16



REF	CODE	POIDS /WEIGHT		L / L		EP. / TH.	
		(Kg/m)	(lb/ft)	(mm)	(inch)	(mm)	(inch)
P31 CO 50	340 189	0.370	0.249	50	(1.969")	0.5	(0.020")
P31 CO 75	340 190	0.460	0.309	75	(2.952")	0.5	(0.020")
P31 CO 100	340 191	0.560	0.377	100	(3.937")	0.5	(0.020")
P31 CO 150	340 192	0.750	0.505	150	(5.906")	0.5	(0.020")
P31 CO 200	340 193	0.940	0.632	200	(7.874")	0.5	(0.020")
P31 CO 300	340 194	1.600	1.077	300	(11.811")	0.5	(0.020")

Material	Standard
DX 51 D Z 275 MAC	EN 10 346

Propriété exclusive de LEGRAND, ne peut être ni copié, ni transmis à des tiers sans autorisation écrite.

Exclusive property of LEGRAND shouldn't be reproduced or transmitted to any people without written authorization