

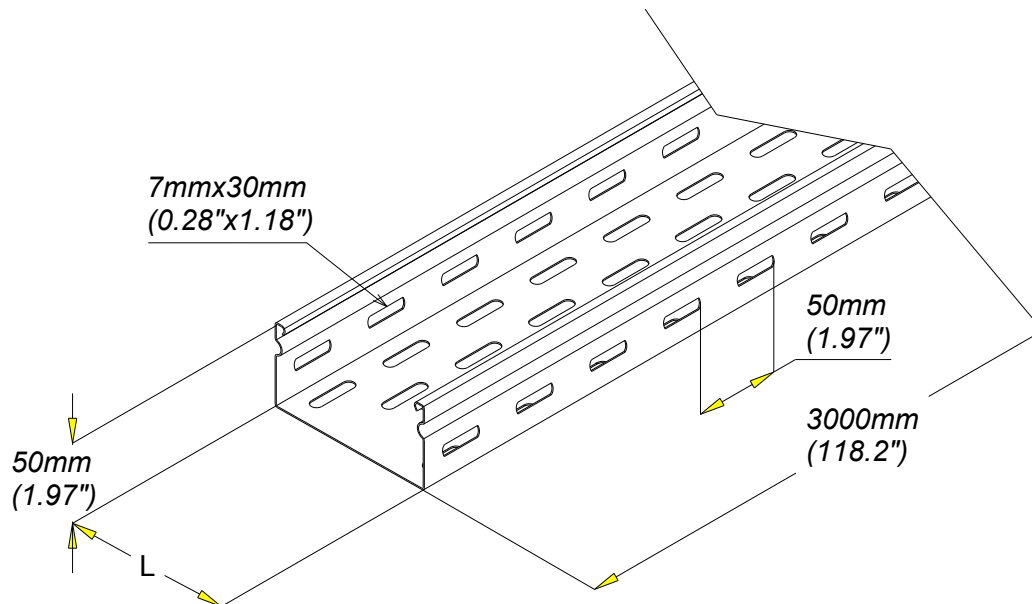
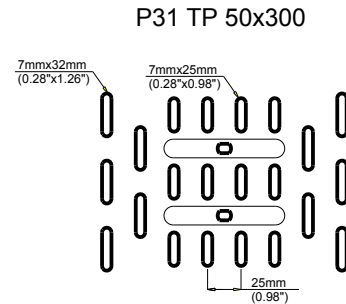
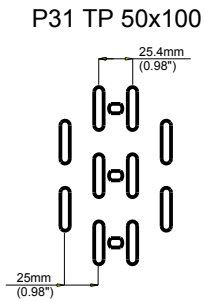
DALLE P31 TP50 100/300
Tray P31 perf 50x100/300

EPO
RAL

legrand® CABLE
MANAGEMENT

FT0518-0

07 17



REF.	CODE	POIDS/WEIGHT		L		EP./TH.	
		kg/m	lb/ft	mm	inch.	mm	inch.
P31 TP 50 PE blanc	347 863	0.90	0.61	100	3.94"	0.6	0.023"
P31 TP 50 PE blanc	347 865	2.65	1.78	300	11.81"	0.9	0.035"
P31 TP 50 PE noir	347 849	0.90	0.61	100	3.94"	0.6	0.023"
P31 TP 50 PE noir	347 851	2.65	1.78	300	11.81"	0.9	0.035"

Material	Standard
DX 51 D Z 200 MAC	EN 10 346