

CABLOFIL Gmini

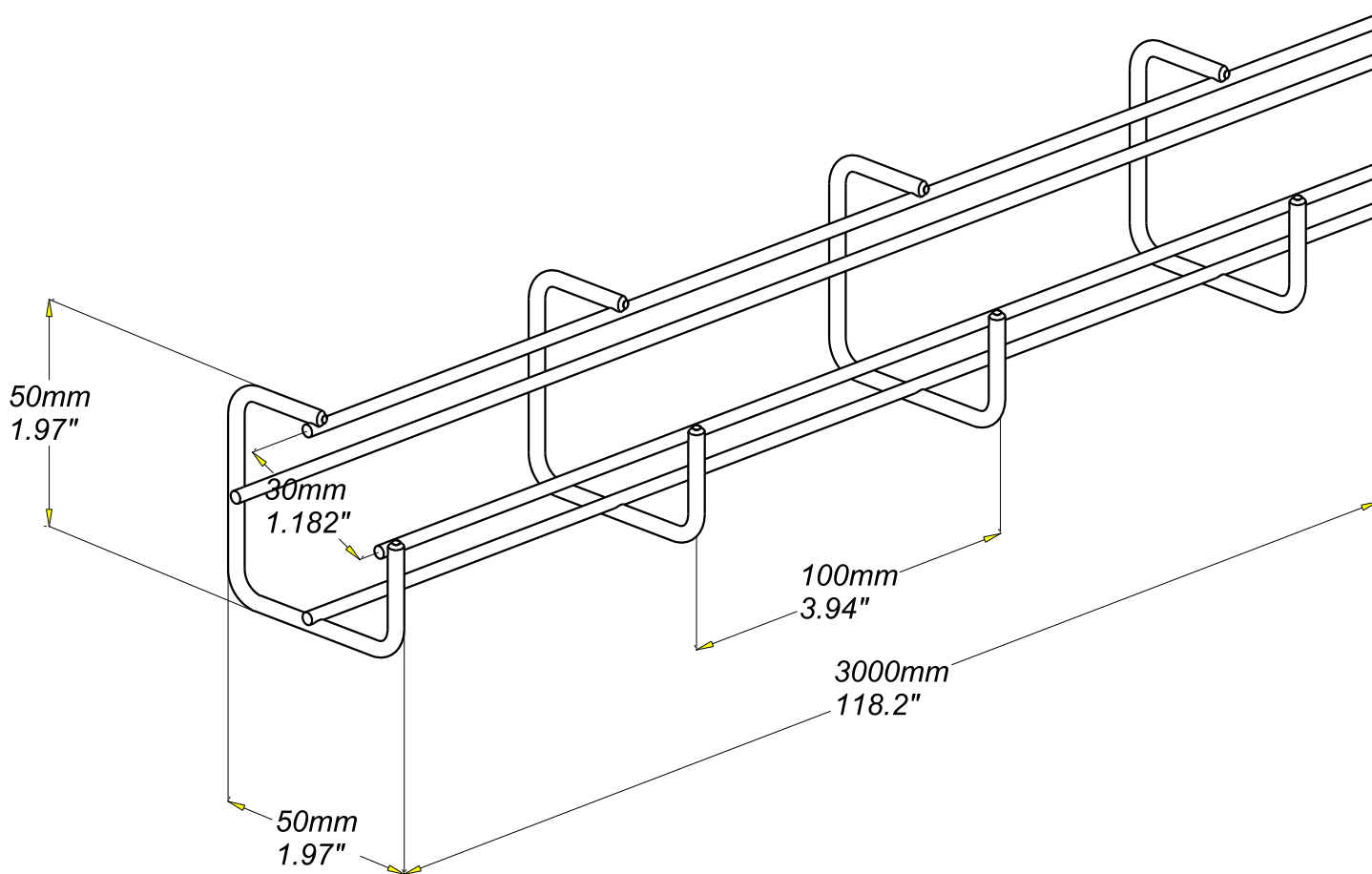
EZ



CABLE
MANAGEMENT

FT0511-1

11 13



					NORMES / STANDARD
REF	CODE	POIDS (kg/m)	WEIGHT (lb/ft)	MATIERE / MATIERAL C4D TO C9D	EN ISO 16120-2
Gmini EZ	430 111	0,400	2,890	PROTECTION/COATING Fe / Zn 12 / A	Class 3 according to CEI 61537