

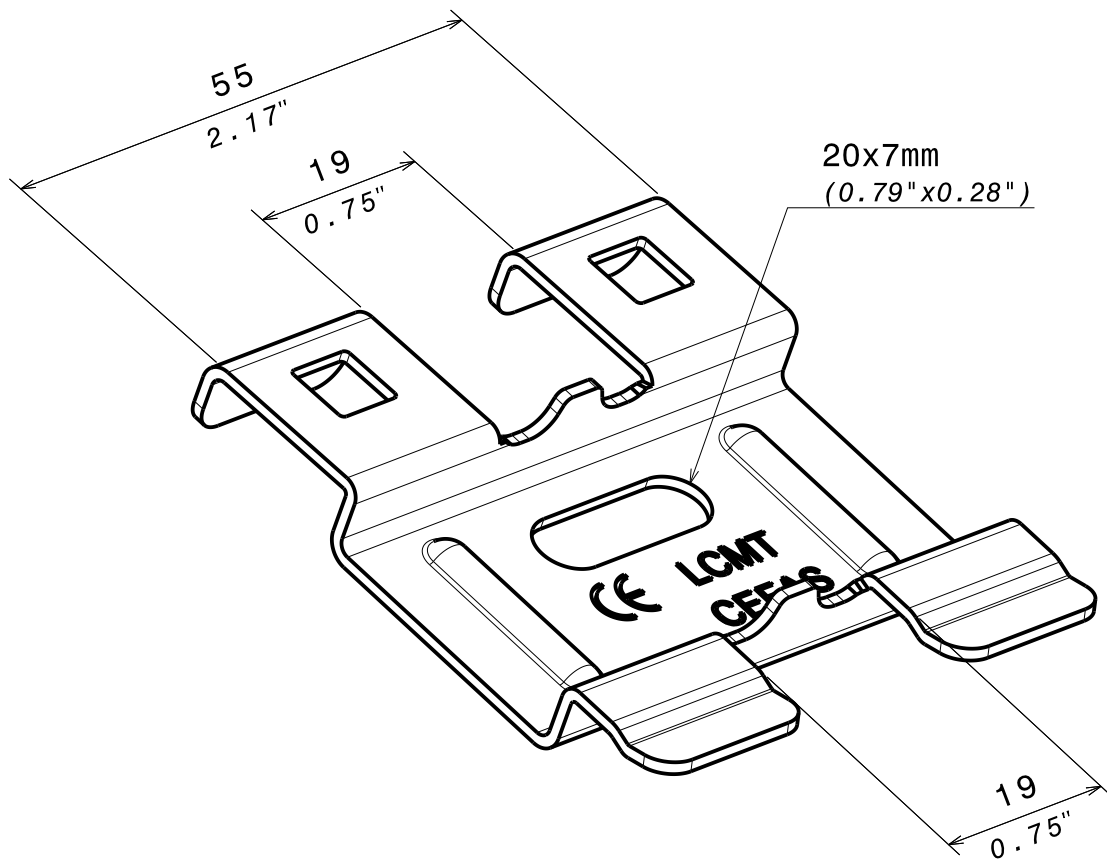
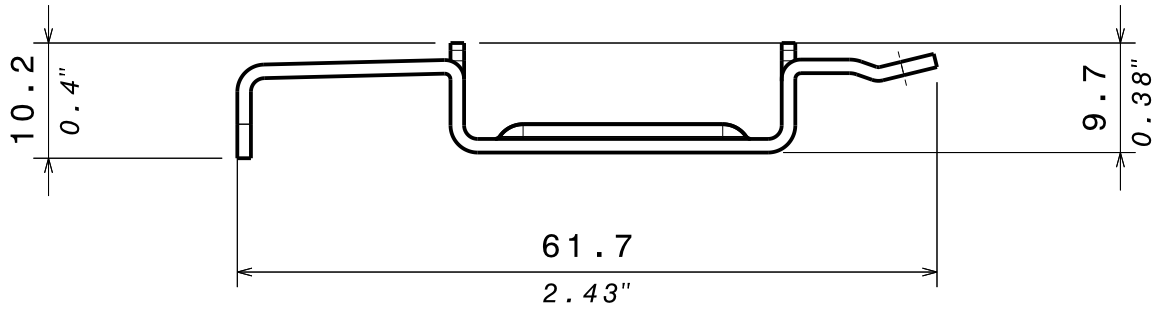
CE FAS
CE FAS

DC

legrand | CABLE
MANAGEMENT

FT0495-7

11-16



REF	CODE	POIDS / WEIGHT (Kg) (lb)		EPAISSEUR / THICKNESS	
CE FAS	558 417	0.036	0.07	1.2	(0.04")

Material	Standard
DC01	EN 10130
Finition Coating	Standard
Zinc Lamellaire / -	Class 6 according to CEI 61537