

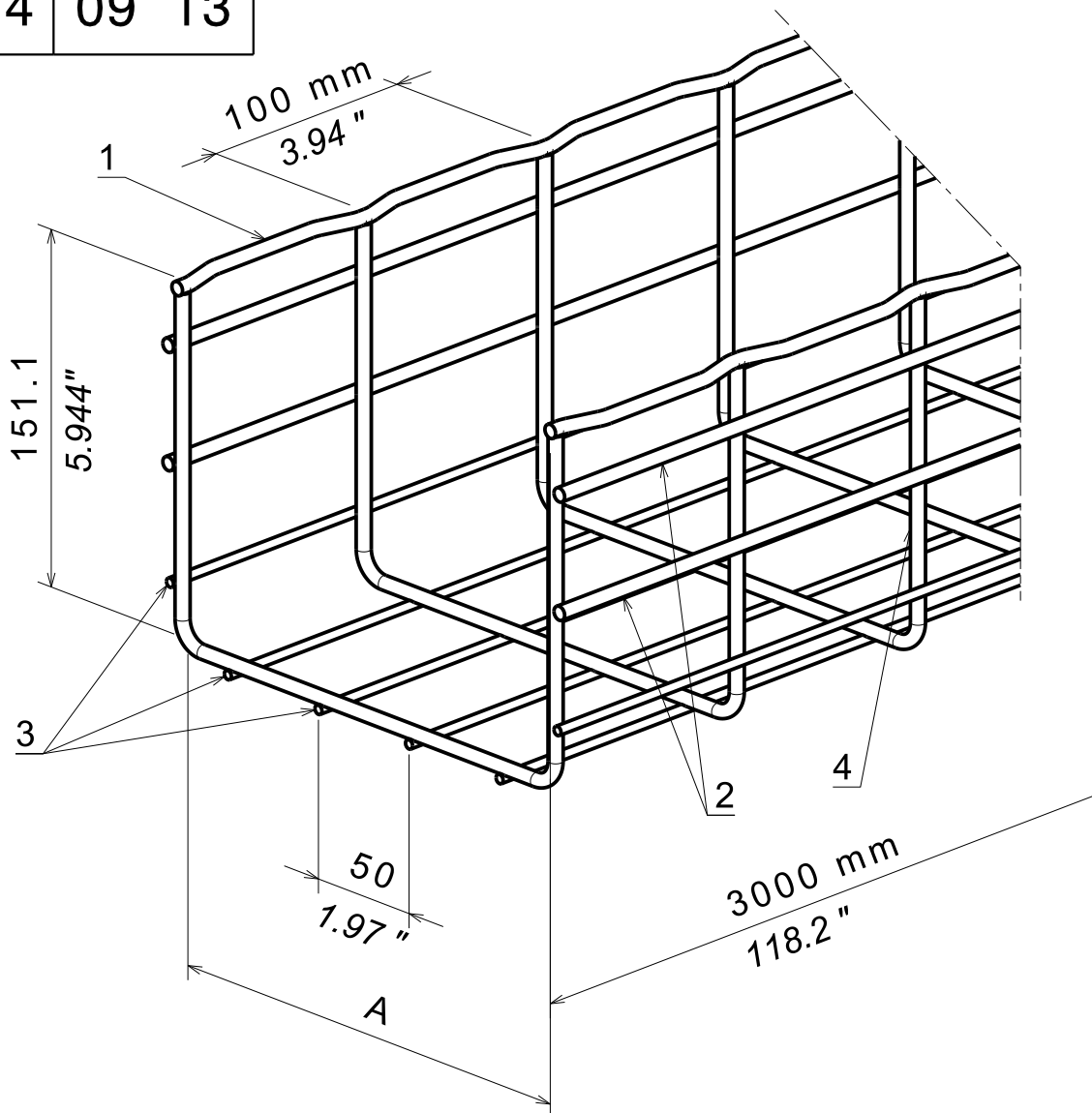
CABLOFIL CF150

316L



CABLE
MANAGEMENT

FT0483-4 09 13



	Ø 1		Ø 2		Ø 3		Ø 4	
	mm	inch	mm	inch	mm	inch	mm	inch
CF150-200	5.5	0.216	5.5	0.216	3,9	0,154	4.4	0.173
CF150-300	5.5	0.216	5.5	0.216	3,9	0,154	5.5	0.216
CF150-400	5.5	0.216	5.5	0.216	3,9	0,154	5.5	0.216
CF150-450	5.5	0.216	5.5	0.216	3,9	0,154	5.5	0.216
CF150-500	5.5	0.216	5.5	0.216	3,9	0,154	5.5	0.216

REF	CODE	POIDS (Kg/m)	WEIGHT (lb/ft)	A mm	A inch
CF150/200	000 954	7.413	4.987	200	7.872
CF150/300	000 964	10.127	6.813	300	11.808
CF150/400	000 974	11.349	7.635	400	15.748
CF150/450	001 014	11.964	8.048	450	17.716
CF150/500	001 024	12.580	8.462	500	19.685

Material	Standard
X2 CrNiMo 17-12-2	EN 10088-2

Propriété exclusive de LEGRAND, ne peut être ni copié, ni transmis à des tiers sans autorisation écrite.

Exclusive property of LEGRAND shouldn't be reproduced or transmitted to any people without written authorization