

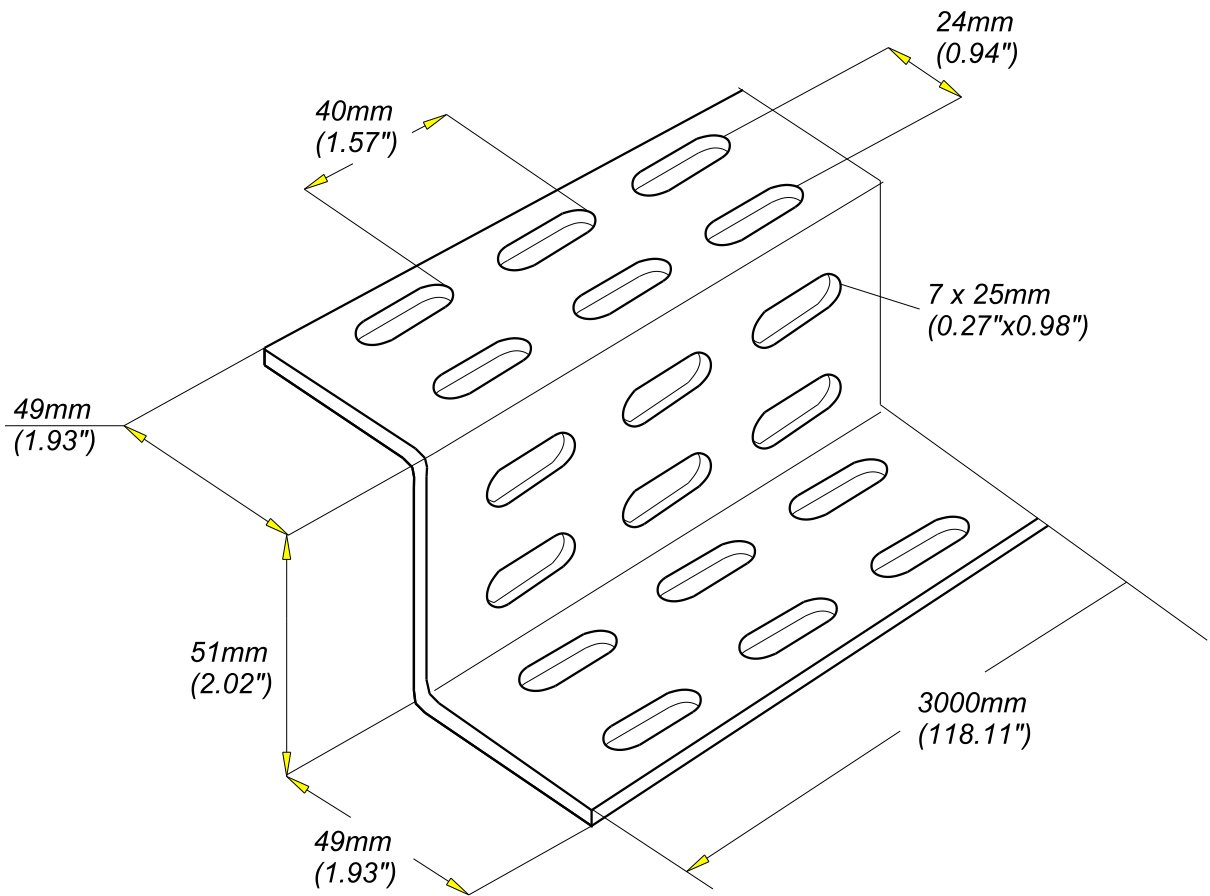
PROFIL Z 48x48x48  
Z SECTION 48x48x48

GC  
HDG

**legrand** | CABLE  
MANAGEMENT

FT0470-3

11 13



EPAISSEUR / THICKNESS 2 (0.08")	NORMES / STANDARD
MATIERE / MATERIAL S 235 JR	EN 10025
PROTECTION / COATING GC / HDG	NF EN ISO 1461

REF	CODE	POIDS (Kg/m)	WEIGHT (lb/ft)
Z48x48x48	524 213	2.160	1.450