

REHAUSSE R15/100
R15/100 UNDER FLOOR SUPPORT STAND

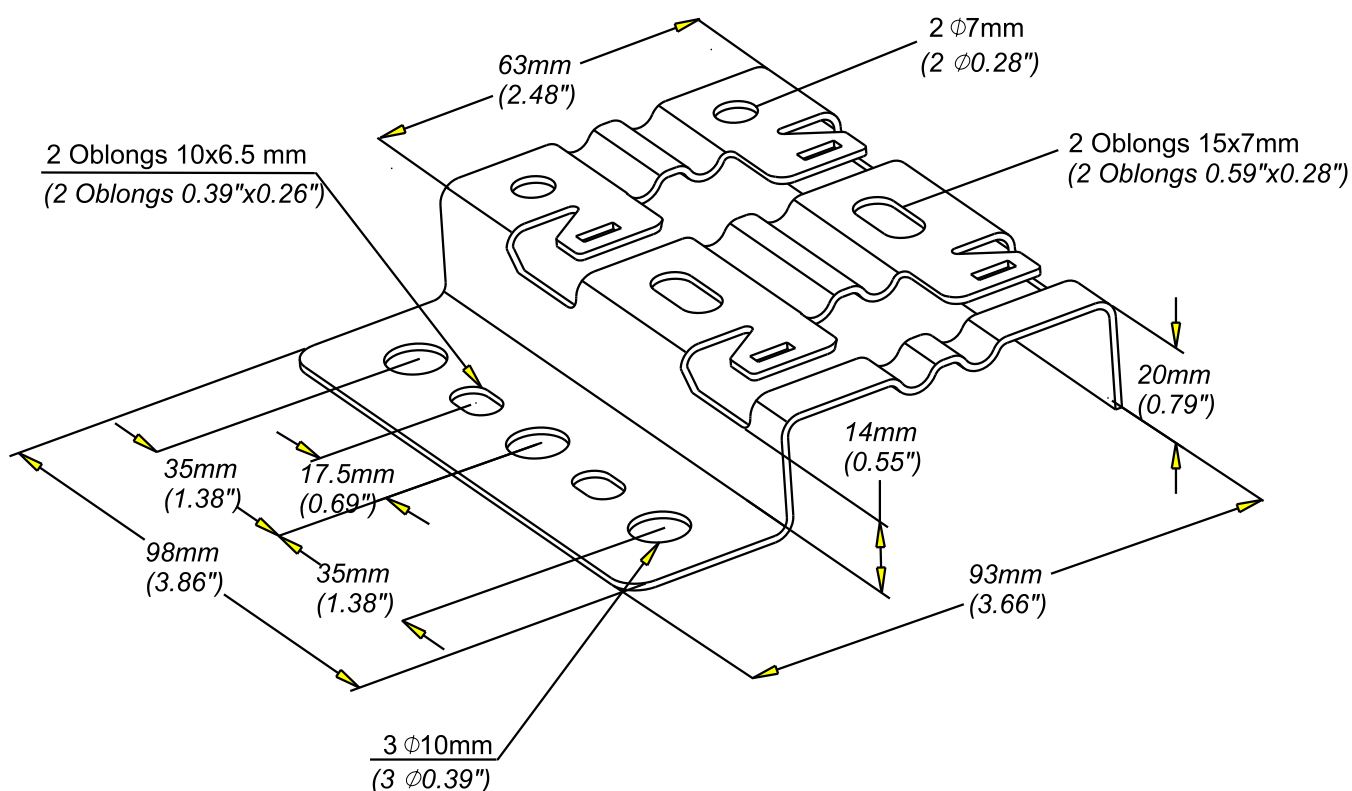
316L



CABLE
MANAGEMENT

FT0445-4

11 13



Material	Standard
X2 Cr Ni Mo 17-12-2	EN 10 088-2

REF	CODE	POIDS (Kg)	WEIGHT (lb)
R15/100	586 174	0.124	0.270

EPAISSEUR / THICKNESS
1.2 (0.05")