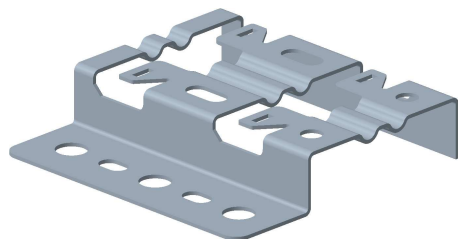


REHAUSSE R15/100
R15/100 STAND OFF BRACKET

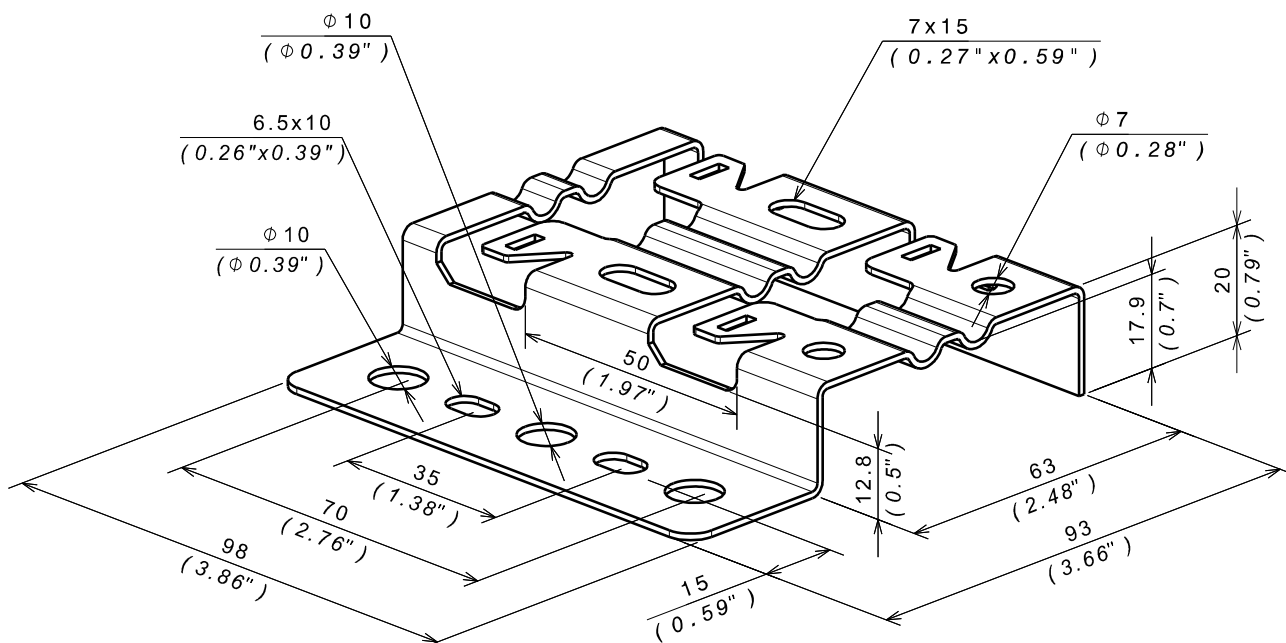
Reference(s) : 586 170/73/74



1. RANGE

Designation	Code	Poids* / Weight* (Kg) (lb)		Epaisseur / Thickness (mm) (inch)		Matière / Material	Norme / Standard	Finition / Coating	Norme / Standard
R15/100 GS	586 170	0.093	0.205	1.2	0.05"	DX 51 D Z275 MAC	EN 10346	GS / PG	
R15/100 ZM	586 173	0.093	0.205	1.2	0.05"	DX 51 D ZM140-310 MAC	EN 10346	ZM (ZnMg)	
R15/100 SS316L	586 174	0.095	0.210	1.2	0.05"	X2 Cr Ni Mo 17-12-2	EN 10088-2	INOX316L / SS316L	

2. DIMENSIONS (mm/inch)



REHAUSSE R15/100
R15/100 STAND OFF BRACKET

Reference(s) : 586 170/73/74

3. INSTALLATION

