

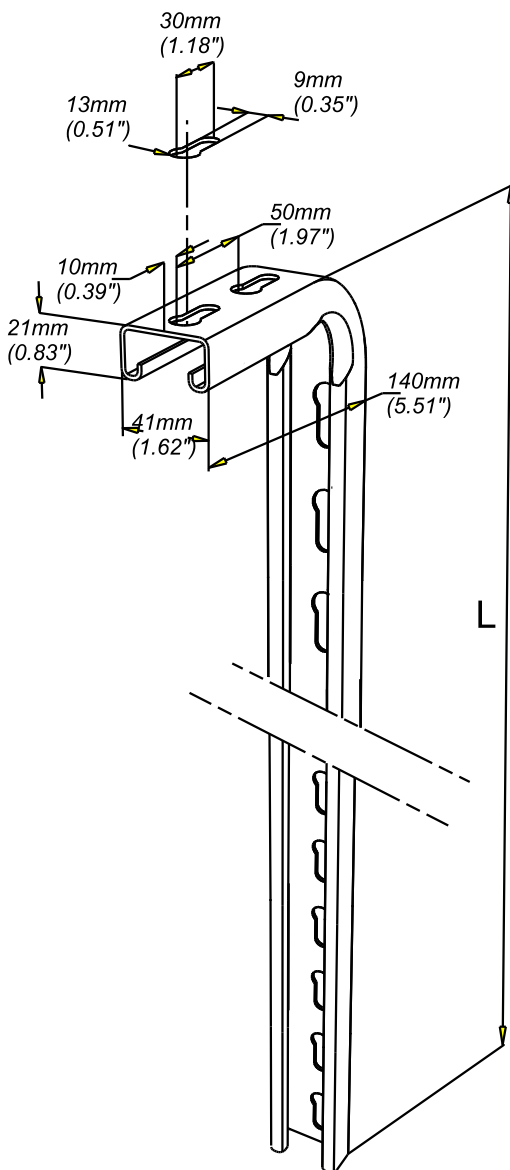
PENDARD CINTRE PC21S  
PC21S BENDED HANGER

316L

**legrand** | CABLE  
MANAGEMENT

FT0438-4

04 15



REF	CODE	POIDS (Kg)	WEIGHT (lb)	L (mm)	L (inch)
PC21S 500	557 904	0.770	1.699	500	19.70
PC21S 800	557 914	1.150	2.538	800	23.64

EPAISSEUR / THICKNESS 2 (0.08")	NORMES / STANDARD
MATIERE / MATERIAL X2 Cr Ni Mo 17-12-2	EN 10088-2