

# CABLOFIL HDF105

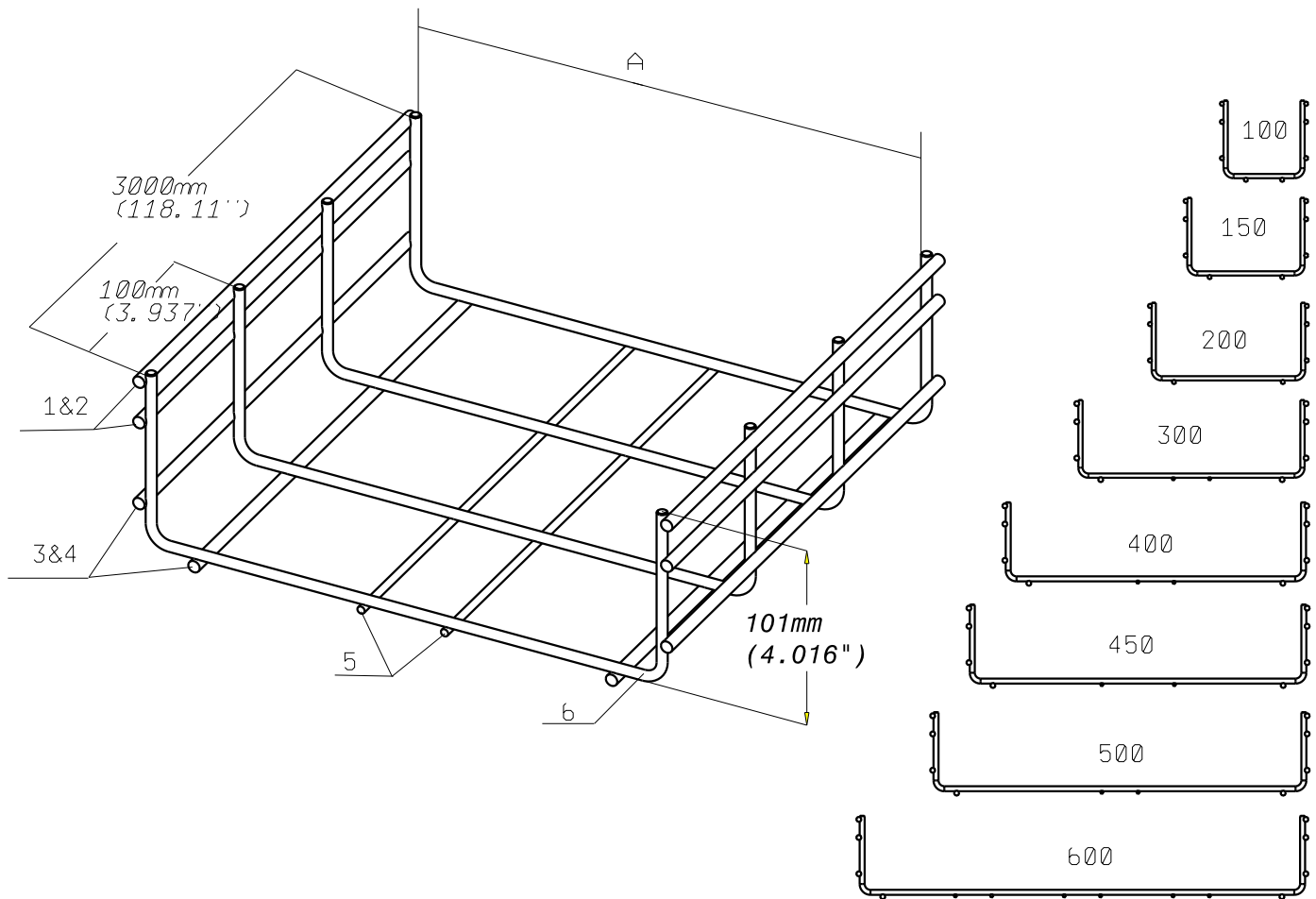
HDG



CABLE MANAGEMENT

FT0407-3

03 16



	f1 & 2		f3 & 4		f5		f6	
	mm	inch	mm	inch	mm	inch	mm	inch
HDF 105/100	5.5	0.220	5.5	0.220			5.5	0.220
HDF 105/150	5.5	0.220	5.5	0.220			5.5	0.220
HDF 105/200	6.9	0.270	5.5	0.220			5.5	0.220
HDF 105/300	6.9	0.270	5.5	0.220	4.4	0.170	6.9	0.270
HDF 105/400	6.9	0.270	6.9	0.270	4.4	0.170	6.9	0.270
HDF 105/450	6.9	0.270	6.9	0.270	4.4	0.170	6.9	0.270
HDF 105/500	6.9	0.270	6.9	0.270	4.4	0.170	6.9	0.270
HDF 105/600	6.9	0.270	6.9	0.270	4.4	0.170	6.9	0.270

REF	CODE	POIDS kg / m	WEIGHT lb / ft	A mm	A inch
HDF105/100	450 623	2.225	1.480	100	3.930
HDF105/150	450 633	2.330	1.550	150	5.910
HDF105/200	450 643	2.900	1.930	200	7.870
HDF105/300	450 663	3.610	2.410	300	11.810
HDF105/400	450 683	4.770	3.180	400	15.750
HDF105/450	450 693	4.910	3.270	450	17.720
HDF105/500	450 703	5.070	3.380	500	19.690
HDF105/600	450 723	5.910	3.940	600	23.620

Material	Standard	Finishes	Standard
C9D	EN ISO 16120-2	Hot dip galvanized	Class 6 according to CEI 61537

Propriété exclusive de LEGRAND, ne peut être ni copié, ni transmis à des tiers sans autorisation écrite.

Exclusive property of LEGRAND shouldn't be reproduced or transmitted to any people without written authorization