

# CABLOFIL HDF105

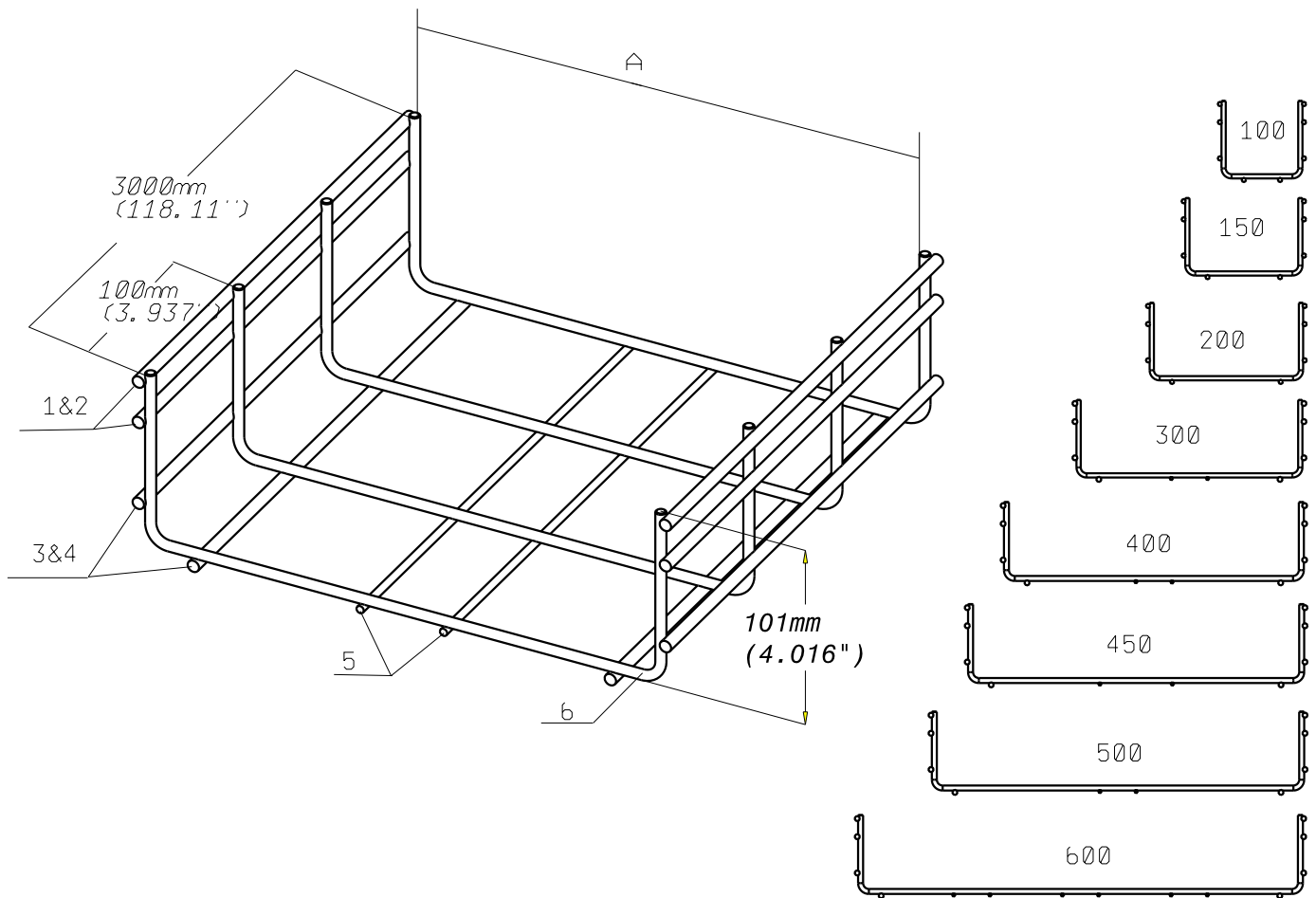
EZ



CABLE MANAGEMENT

FT0407-1

03 16



	f1 & 2		f3 & 4		f5		f6	
	mm	inch	mm	inch	mm	inch	mm	inch
HDF 105/100	5.5	0.220	5.5	0.220			5.5	0.220
HDF 105/150	5.5	0.220	5.5	0.220			5.5	0.220
HDF 105/200	6.9	0.270	5.5	0.220			5.5	0.220
HDF 105/300	6.9	0.270	5.5	0.220	4.4	0.170	6.9	0.270
HDF 105/400	6.9	0.270	6.9	0.270	4.4	0.170	6.9	0.270
HDF 105/450	6.9	0.270	6.9	0.270	4.4	0.170	6.9	0.270
HDF 105/500	6.9	0.270	6.9	0.270	4.4	0.170	6.9	0.270
HDF 105/600	6.9	0.270	6.9	0.270	4.4	0.170	6.9	0.270

REF	CODE	POIDS		WEIGHT		A mm	A inch
		kg / m	lb / ft	kg / m	lb / ft		
HDF105/100	450 621	2.080	1.390	100	3.930		
HDF105/150	450 631	2.180	1.450	150	5.910		
HDF105/200	450 641	2.710	1.810	200	7.870		
HDF105/300	450 661	3.370	2.250	300	11.810		
HDF105/400	450 681	4.460	2.970	400	15.750		
HDF105/450	450 691	4.590	3.060	450	17.720		
HDF105/500	450 701	4.740	3.160	500	19.690		
HDF105/600	450 721	5.520	3.680	600	23.620		

Material	Standard	Finishes	Standard
C9D	EN ISO 16120-2	Fe/Zn12/A (EZ)	Class 3 according to CEI 61537

Propriété exclusive de LEGRAND, ne peut être ni copié, ni transmis à des tiers sans autorisation écrite.

Exclusive property of LEGRAND shouldn't be reproduced or transmitted to any people without written authorization