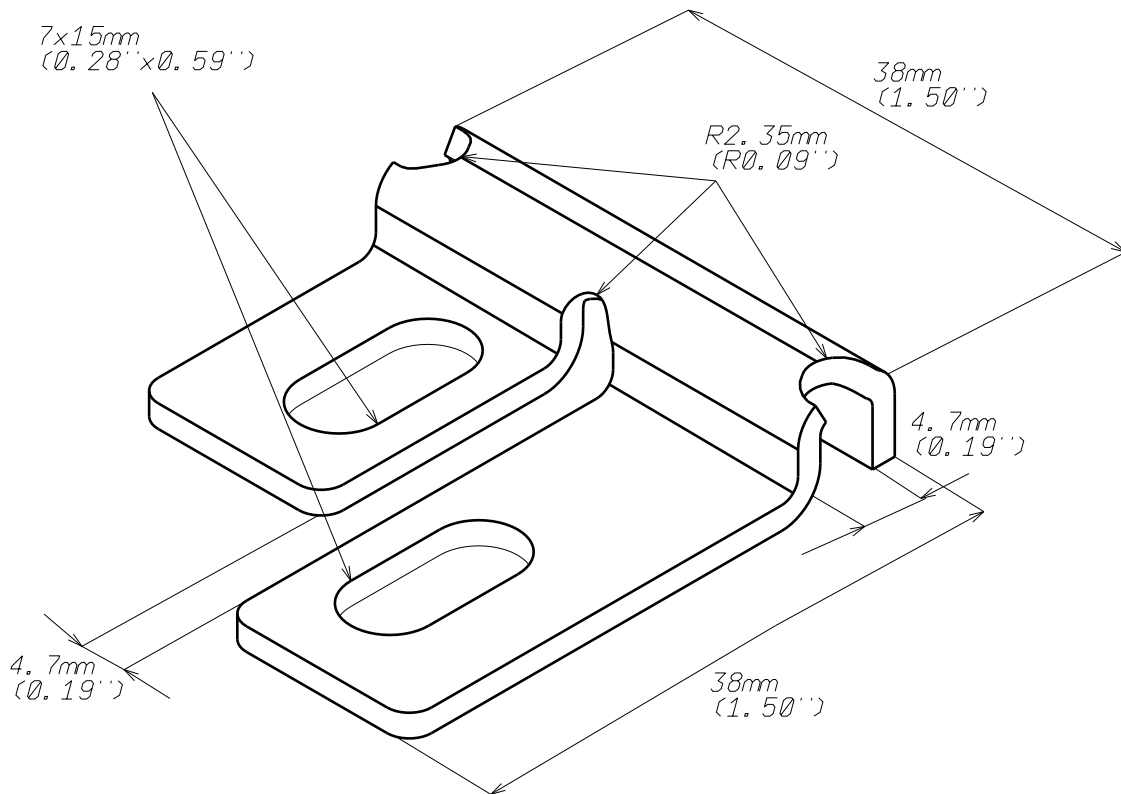


Clame de fixation FTX  
Fixing clamp FTX

DC  
ZINC FLAKE

**legrand** | CABLE  
MANAGEMENT

FT0365-7 03 16



EPAISSEUR / THICKNESS  
2 (0.08'')

| REF | CODE    | POIDS<br>(kg) | WEIGHT<br>(lb) | Material | Standard    | Finishes                     | Standard                       |
|-----|---------|---------------|----------------|----------|-------------|------------------------------|--------------------------------|
| FTX | 586 183 | 0.023         | 0.051          | S 235 JR | EN 10 025-2 | Zinc Lamellaire / Zinc Flake | Class 6 according to CEI 61537 |

Propriété exclusive de LEGRAND, ne peut être ni copié, ni transmis à des tiers sans autorisation écrite.

Exclusive property of LEGRAND shouldn't be reproduced or transmitted to any people without written authorization