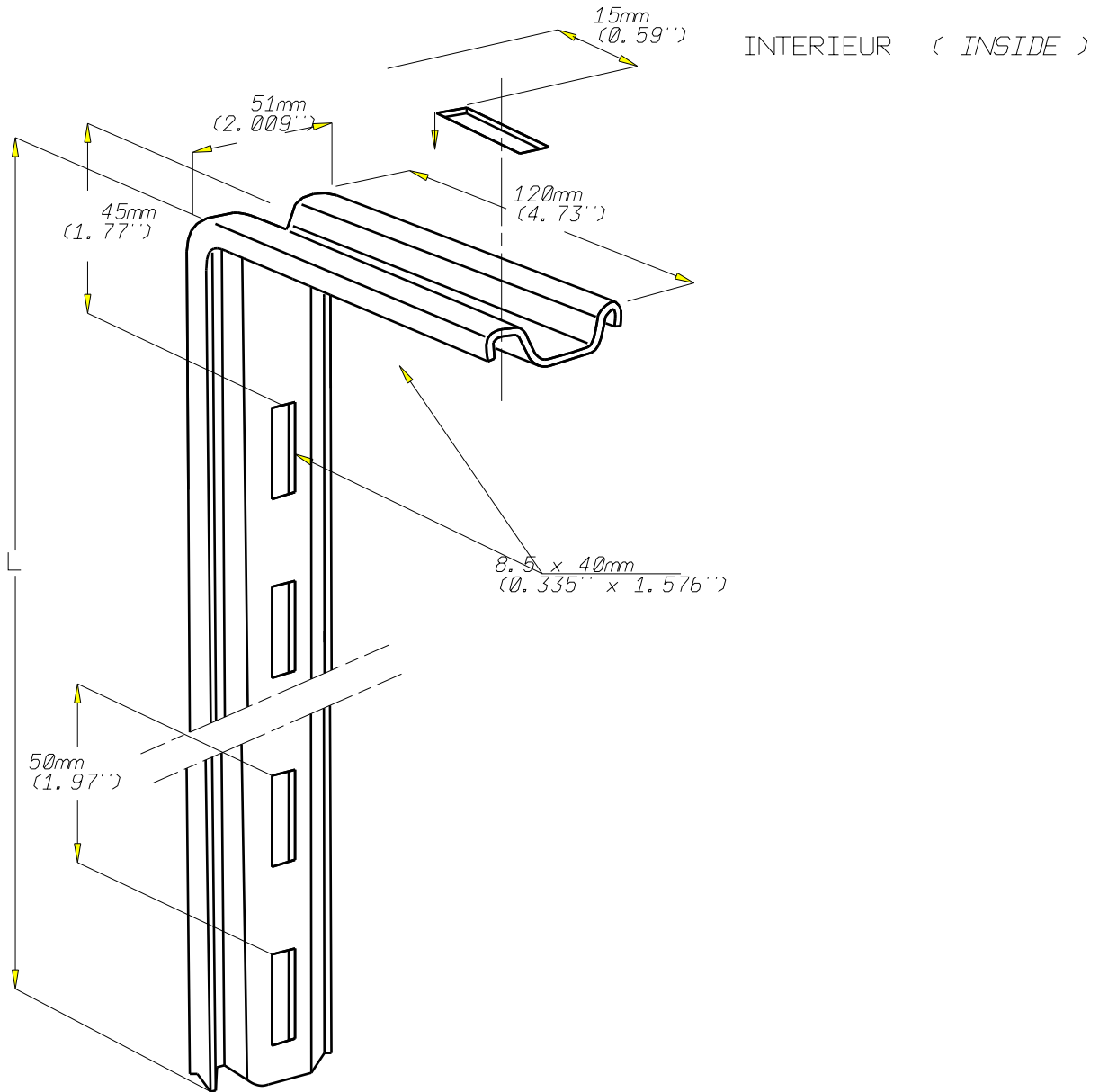


PENDARD PS
PS HANGER

GC
HDG

legrand® | **CABLE MANAGEMENT**

FT0302-3 | **03 16**



Material	Standard	Finishes	Standard
S 235 JR	EN 10 025-2	Hot dip galvanized	EN ISO 1461

REF	CODE	L (mm)	L (inch)	POIDS (kg)	WEIGHT (lb)
PS 400	002 733	445	17,520	0.700	1.545
PS 500	002 743	545	21,457	0.810	1.788
PS 600	002 753	645	25,394	0.940	2.075

EPAISSEUR / THICKNESS
2.5 / 0.1''