

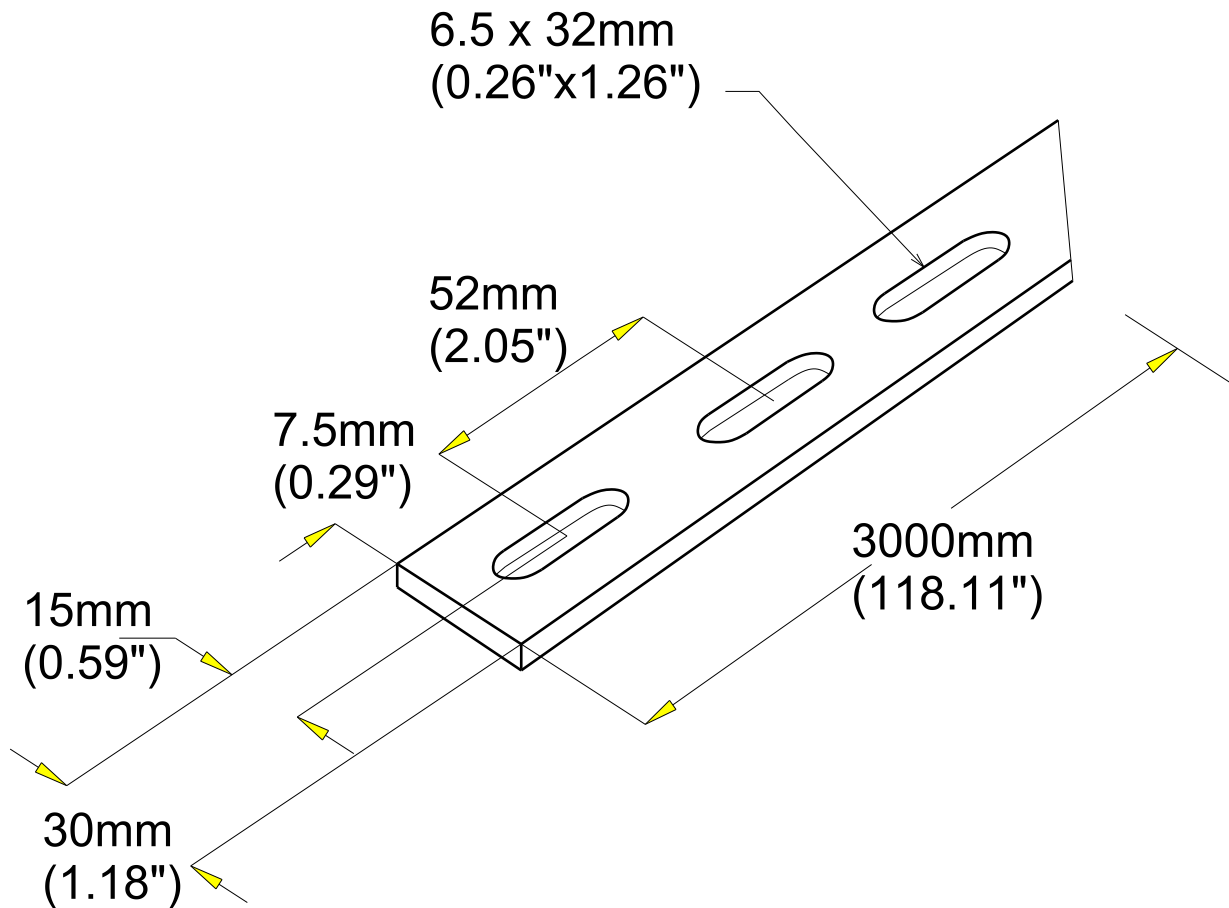
PROFIL PLAT PL30-3
 PL30-3 FLAT SECTION

GS
 PG

legrand | CABLE
 MANAGEMENT

FT0253-0

02 16



Material	Standard
DX51D Z 275 MAC	EN 10 346

REF	CODE	POIDS <small>(Kg/m)</small>	WEIGHT <small>(lb/ft)</small>
PL 30-3	524 108	0.630	0.424

EPAISSEUR / THICKNESS
3 / (0.12")