

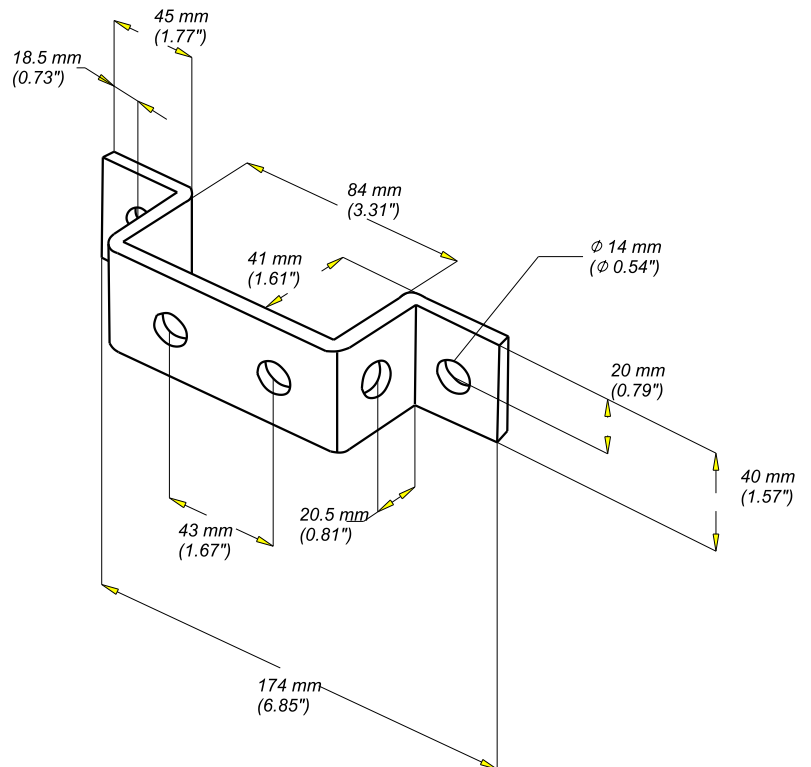
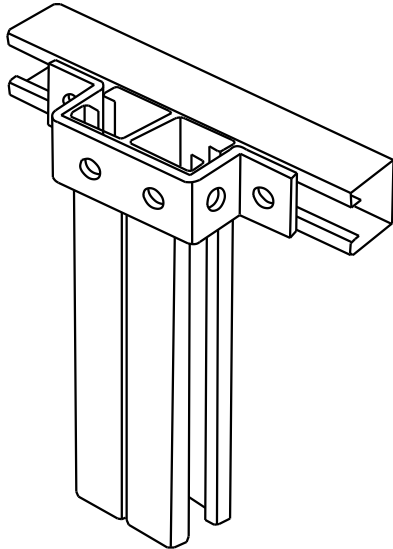
OMEGA 41/41 DOUBLE
41/41 DOUBLE OMEGA

GC
HDG

 CABLE
MANAGEMENT

FT0246-3

02 16



Material	Standard	Finishes	Standard
S235JR	EN 10025	Hot dip galvanized	EN ISO 1461

REF	CODE	POIDS (Kg)	WEIGHT (lb)
OM41/41D	596 213	0.460	1.015

EPAISSEUR / THICKNESS
6 / (0.24")