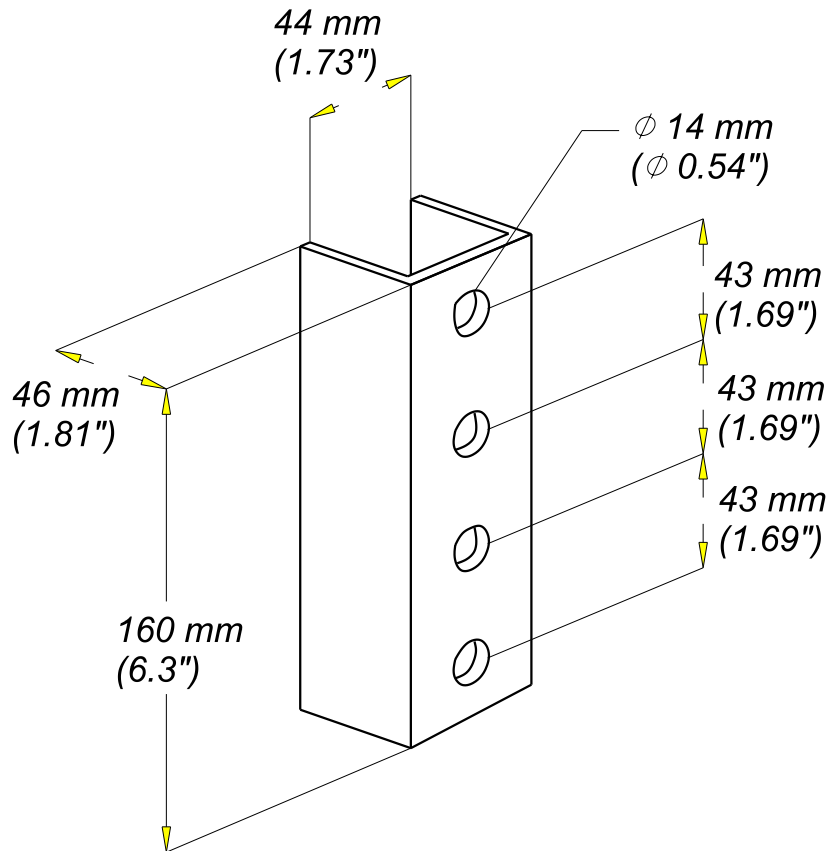
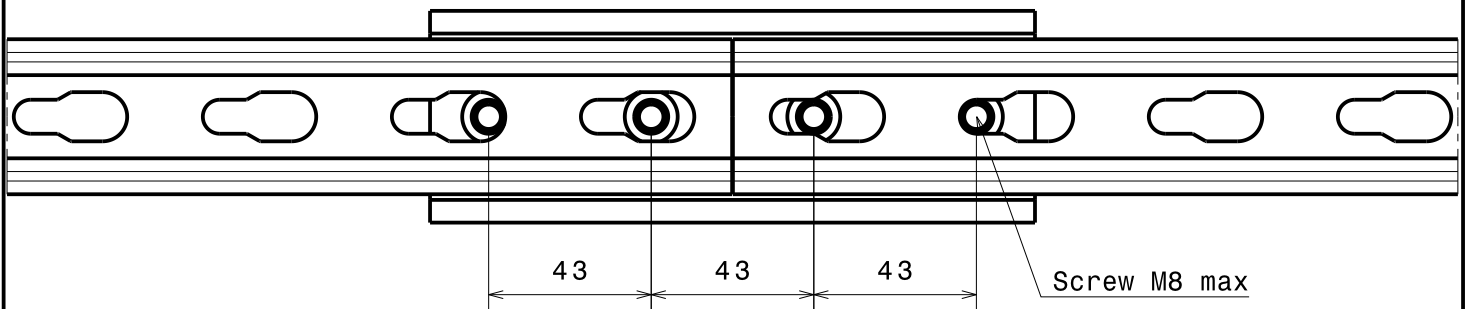
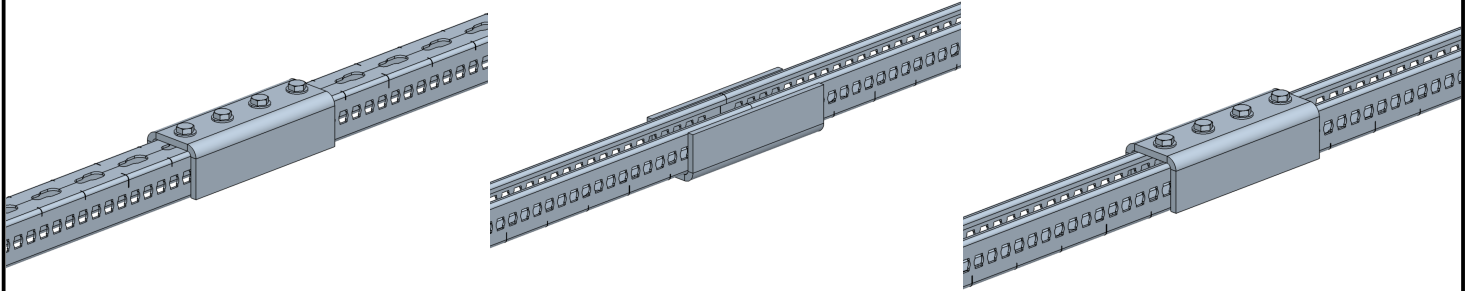


Designation: ECLISSE 4 TROUS  
SS316L 4 HOLE SPLICE

Reference(s): 595 214



REF	CODE	POIDS / WEIGHT		EPAISSEUR / THICKNESS	
		(Kg)	(lb)	(mm)	(inch)
ECL41/41	595 214	0.840	0.381	6	0.236"

Material	Standard
X2 Cr Ni Mo 17-12-2	EN 10088-2
Finition Coating	Standard
INOX	