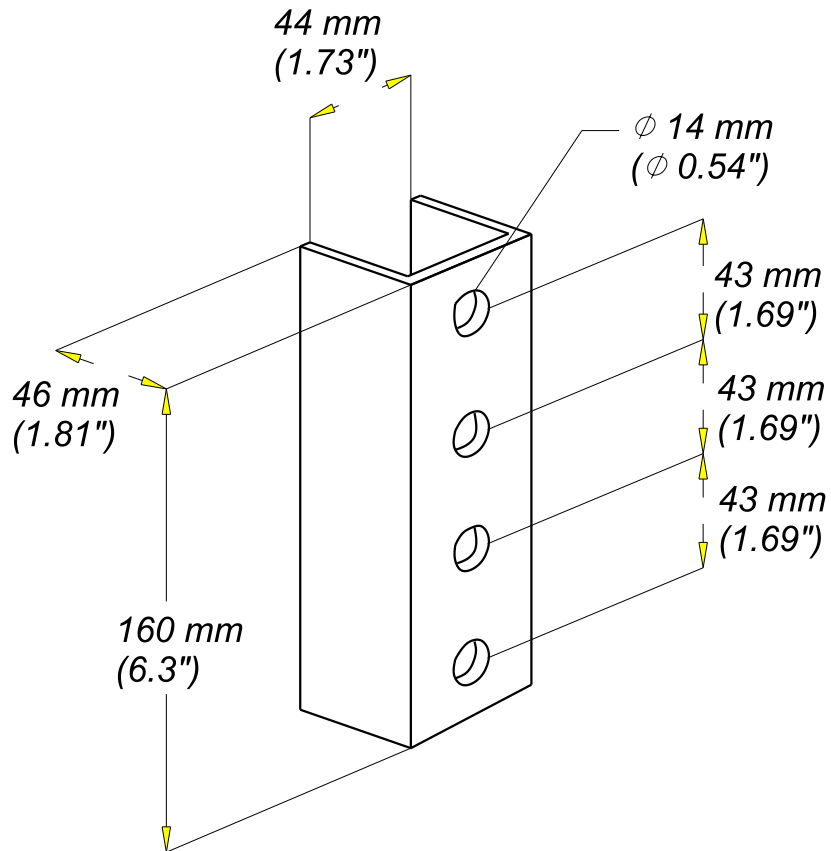
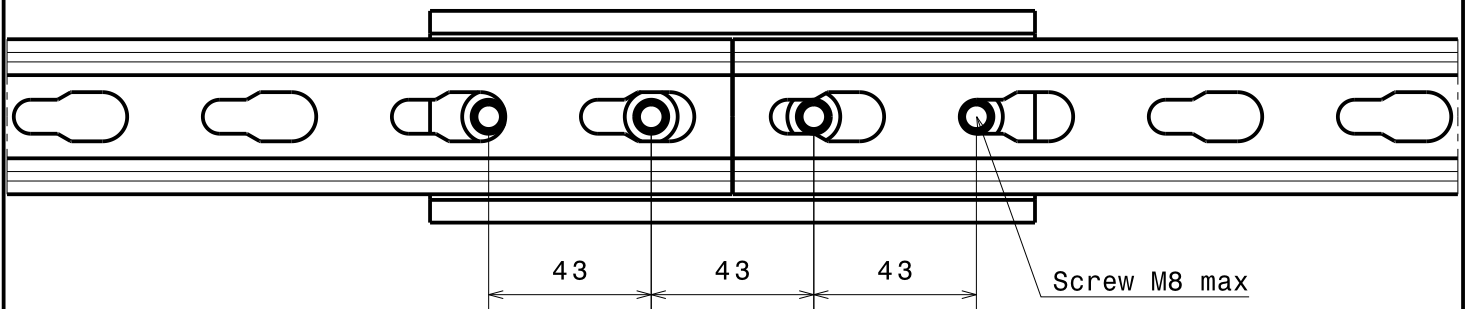
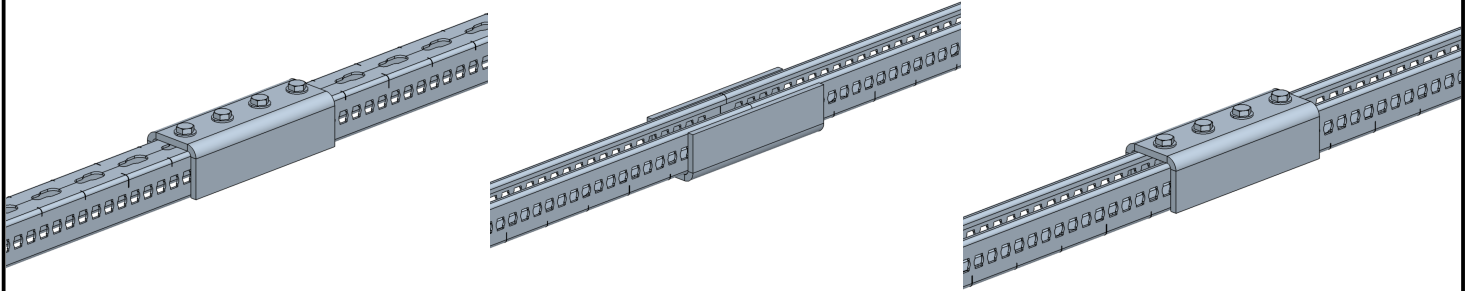


Designation: ECLISSE 4 TROUS
GC
4 HOLE SPLICE

Reference(s): 595 213



REF	CODE	POIDS / WEIGHT		EPAISSEUR / THICKNESS	
		(Kg)	(lb)	(mm)	(inch)
ECL41/41	595 213	0.840	0.381	6	0.236"

Material	Standard
S235JR	EN 10025-2
Finition Coating	Standard
GC / HDG	Class 6 according to CEI 61537